



GAS	II2G Ex d IIB+H₂ T6 ÷ T4
DUST	II2D Ex tD A21 T80°C ÷ T130°C

* IP65/IP66
* IP65/IP66

Zone 1 - Zone 21 - Zone 2 - Zone 22
❄ -20°C ÷ ☀ +40°C ❄ -20°C ÷ ☀ +60°C

Materiale : Corpo e coperchio di lega leggera
 Parte trasparente : Vetro temperato
 Installazione : con staffe in acciaio zincato a richiesta
 Viteria : Acciaio zincato a richiesta inox
 Guarnizioni : a richiesta al silicone per IP 66
 Suffisso A : Per montaggio elementi a coperchio

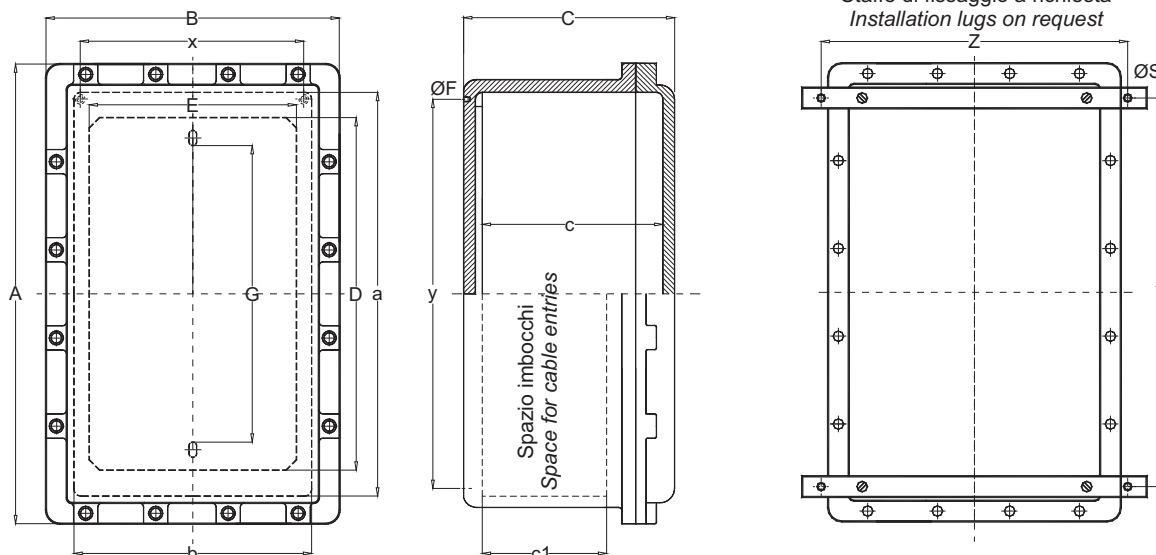
Material : Light alloy cover and body
 Transparent part : Tempered glass
 Installation : Galvanized steel lugs on demand
 Hardware : galvanized steel or stainless steel
 Gaskets : on demand silicon for IP 66
 A suffix : for installation of components on cover

* IP65 con grasso al silicone - IP66 con guarnizione
 IP65 with silicon grease - IP66 with silicon



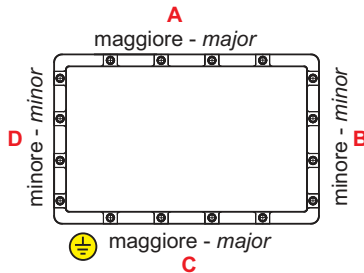
Codice Code	A	B	C	a	b	c	c1	x	y	Z	ØF	ØS	Staffe Lugs	Piastra Frame	D	E	G	Viti coperchio Cover screws	Peso Weight [kg]
EJB 544	175	150	120	103	104	91	-	94	120	150	M5	6	PS 54	PF 54	123	85	87	N°6 M5x20	2,400
EJB 544A	175	150	120	103	104	91	-	94	120	150	M5	6	PS 54	PF 54	123	85	87	N°6 M5x20	2,400
EJB 544T	175	150	120	103	104	91	50	94	120	150	M5	6	PS 54	PF 54	123	85	87	N°6 M5x20	2,770
EJB 544TA	175	150	120	103	104	91	50	94	120	150	M5	6	PS 54	PF 54	123	85	87	N°6 M5x20	2,770
EJB 755	212	175	140	164	125	116	-	100	140	175	M6	7	PS 75	PF 75	156	105	121	N°6 M6x20	3,700
EJB 755A	212	175	140	164	125	116	-	100	140	175	M6	7	PS 75	PF 75	156	105	121	N°6 M6x20	4,200
EJB 755T	212	175	140	164	125	116	70	100	140	175	M6	7	PS 75	PF 75	156	105	121	N°6 M6x20	4,300
EJB 755TA	212	175	140	164	125	116	70	100	140	175	M6	7	PS 75	PF 75	156	105	121	N°6 M6x20	4,700
EJB 1076	305	206	157	252	154	127	86	132	224	205	M6	7	PS 107	PF 107	233	130	201	N°10 M6x25	8,000
EJB 1076A	305	206	157	252	154	127	86	132	224	205	M6	7	PS 107	PF 107	233	130	201	N°10 M6x25	8,500
EJB 1286	370	265	200	306	203	158	92	163	280	255	M8	9	PS 128	PF 128	296	170	254	N°10 M8x30	13,000
EJB 1286A	370	265	200	306	203	158	92	163	280	255	M8	9	PS 128	PF 128	296	170	254	N°10 M8x30	14,500
EJB 14107	450	307	206	375	232	169	110	198	339	285	M8	9	PS 1410	PF 1410	362	200	320	N°12 M8x35	18,000
EJB 14107A	450	307	206	375	232	169	110	198	339	285	M8	9	PS 1410	PF 1410	362	200	320	N°12 M8x35	19,500
EJB 17129B	545	373	206	456	288	156	88	285	450	345	M10	11	PS 1712	PF 1712	425	245	368	N°14 M10x40	35,000
EJB 17129BA	545	373	206	456	288	156	88	285	450	345	M10	11	PS 1712	PF 1712	425	245	368	N°14 M10x40	37,000
EJB 17129	545	373	295	456	288	245	180	282	450	345	M10	11	PS 1712	PF 1712	425	245	368	N°14 M10x40	28,500
EJB 17129A	545	373	295	456	288	245	180	282	450	345	M10	11	PS 1712	PF 1712	425	245	368	N°14 M10x40	30,500
EJB 221410	665	425	320	583	344	260	180	315	550	405	M10	11	PS 2214	PF 2214	555	300	498	N°16 M10x40	47,000
EJB 221410A	665	425	305	583	344	250	180	315	550	405	M10	11	PS 2214	PF 2214	555	300	498	N°16 M10x40	48,000
EJB 2886	770	271	220	702	203	170	110	183	632	255	M8	9	PS 128	PF 288	685	170	642	N°18 M8x30	27,000

Staffe di fissaggio a richiesta
 Installation lugs on request



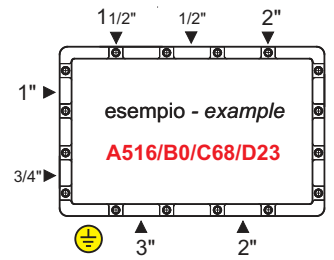
SCHEMA DI FORATURA PER INGRESSO CON RACCORDO A TRE PEZZI E GIUNTO DI BLOCCAGGIO
DRILL ARRANGEMENT FOR ENTRY BY UNION AND SEALED JOINT

Codice/Code	schema arrangement	lato side	1/2" M20x1.5	3/4" M25x1.5	1" M32x1.5	1 1/4" M40x1.5	1 1/2" M50x1.5	2" M63x1.5	2 1/2" M75x1.5	3" M90x1.5	4"
EJB 544/EJB 544A		maggiore - major minore - minor	- -	1 1	1 1	- -	- -	- -	- -	- -	- -
EJB 544T/EJB 544TA	libero free	maggiore - major minore - minor	3 2	3 2	2 2	1 1	- -	- -	- -	- -	- -
EJB 755/EJB 755A		maggiore - major minore - minor	1 1	1 1	1 1	1 1	1 1	- -	- -	- -	- -
EJB 755T/EJB 755TA	libero free	maggiore - major minore - minor	4 3	3 2	3 2	2 1	2 1	- -	- -	- -	- -
EJB 1076/EJB 1076A	libero free	maggiore - major minore - minor	6 4	5 3	4 3	4 2	3 2	3 2	- -	- -	- -
EJB 1286/EJB 1286A	libero free	maggiore - major minore - minor	7 5	6 4	5 3	4 3	4 3	3 2	2 2	- -	- -
EJB 14107/EJB 14107A	libero free	maggiore - major minore - minor	8 5	7 5	6 4	5 3	5 3	4 2	3 2	3 2	- -
EJB 17129/EJB 17129A	libero free	maggiore - major minore - minor	10 6	9 6	8 5	7 4	6 4	5 3	4 2	3 2	2 1
EJB 17129B/EJB 17129BA	libero free	maggiore - major minore - minor	10 6	9 6	7 5	6 4	6 4	5 3	- -	- -	- -
EJB 221410/EJB 221410A	libero free	maggiore - major minore - minor	12 7	11 6	10 6	8 5	8 4	6 4	5 3	4 2	3 2
EJB 2886	libero free	maggiore - major minore - minor	15 4	14 4	12 3	9 3	9 3	7 2	6 2	- -	- -



IMBOCCO - HUB Gk									
Codice - Code	1	2	3	4	5	6	7	8	9
Gk	1/2	3/4	1	1 1/4	1 1/2	2	2 1/2	3	4

IMBOCCO-HUB METRICAL x 1.5									
Codice - Code	16	20	25	32	40	50	63	75	90
Metrical	M16	M20	M25	M32	M40	M50	M63	M75	M90



SCHEMA DI FORATURA PER INGRESSO CON PRESSACAVO
DRILL ARRANGEMENT FOR ENTRY BY CABLE GLAND

Codice/Code	schema arrangement	lato side	1/2" M20x1.5	3/4" M25x1.5	1" M32x1.5	1 1/4" M40x1.5	1 1/2" M50x1.5	2" M63x1.5	2 1/2" M75x1.5	3" M90x1.5	4"
EJB 544/EJB 544A		maggiore - major minore - minor	- -	1 1	1 1	- -	- -	- -	- -	- -	- -
EJB 544T/EJB 544TA	libero free	maggiore - major minore - minor	3 2	2 2	2 2	1 1	- -	- -	- -	- -	- -
EJB 755/EJB 755A		maggiore - major minore - minor	1 1	1 1	1 1	1 1	1 1	- -	- -	- -	- -
EJB 755T/EJB 755TA	libero free	maggiore - major minore - minor	4 3	3 2	3 2	2 1	2 1	- -	- -	- -	- -
EJB 1076/EJB 1076A	libero free	maggiore - major minore - minor	8 5	6 4	4 3	4 2	3 2	3 2	- -	- -	- -
EJB 1286/EJB 1286A	libero free	maggiore - major minore - minor	10 6	8 5	6 4	4 3	4 3	3 2	2 2	- -	- -
EJB 14107/EJB 14107A	libero free	maggiore - major minore - minor	14 8	12 7	10 6	5 3	5 3	4 2	3 2	3 2	- -
EJB 17129/EJB 17129A	libero free	maggiore - major minore - minor	18 12	16 10	14 8	12 8	12 8	6 4	4 2	3 2	2 1
EJB 17129B/EJB 17129BA	libero free	maggiore - major minore - minor	14 8	10 7	8 5	6 4	6 4	5 3	- -	- -	- -
EJB 221410/EJB 221410A	libero free	maggiore - major minore - minor	22 14	18 12	16 10	14 8	14 8	9 5	5 3	4 2	3 2
EJB 2886	libero free	maggiore - major minore - minor	26 6	22 5	18 4	10 3	9 3	8 2	6 2	- -	- -



GAS	II2G Ex d IIB+H₂ T6 ÷ T4	*IP65/IP66	Zone 1 - Zone 21 - Zone 2 - Zone 22
DUST	II2D Ex tD A21 T80°C ÷ T130°C	*IP65/IP66	❄️-20°C ÷ ☀️+40°C ❄️-20°C + ☀️+60°C

Codice/Code	Corrente Current [A]	Potenza max. dissipabile Max. power dissipable [W]	Classe temp. Temp. class @ +40°C	Max. temp superfic. Max. surface temp @ +40°C	Classe di temp. Temp. class @ +60°C	Max. temp superfic. Max. surface temp @ +60°C
EJB 544..	63	20	T6	T 80°C	T5	T 95°C
EJB 755..	160	30	T6	T 80°C	T5	T 95°C
EJB 1076..	250	45	T6	T 80°C	T5	T 95°C
EJB 1286..	300	60	T6	T 80°C	T5	T 95°C
EJB 14107..	450	85	T6	T 80°C	T5	T 95°C
EJB 17129B..	630	140	T6	T 80°C	T5	T 95°C
EJB 17129..	630	120	T6	T 80°C	T5	T 95°C
EJB 221410..	800	200	T6	T 80°C	T5	T 95°C
EJB 2886	500	125	T6	T 80°C	T5	T 95°C

Codice/Code	Corrente Current [A]	Potenza max. dissipabile Max. power dissipable [W]	Classe temp. Temp. class @ +40°C	Max. temp superfic. Max. surface temp @ +40°C	Classe di temp. Temp. class @ +60°C	Max. temp superfic. Max. surface temp @ +60°C
EJB 544..	63	45	T5	T 95°C	T4	T 130°C
EJB 755..	160	75	T5	T 95°C	T4	T 130°C
EJB 1076..	250	100	T5	T 95°C	T4	T 130°C
EJB 1286..	300	130	T5	T 95°C	T4	T 130°C
EJB 14107..	450	180	T5	T 95°C	T4	T 130°C
EJB 17129B..	630	290	T5	T 95°C	T4	T 130°C
EJB 17129..	630	250	T5	T 95°C	T4	T 130°C
EJB 221410..	800	410	T5	T 95°C	T4	T 130°C
EJB 2886	500	260	T5	T 95°C	T4	T 130°C



Materiale: Poliammide
Tensione nominale: MCB2 2 - 690 [V]
MCBD 4 + MCB2 70 - 1000 [V]

Materiale: Polyammide
Rated voltage: MCB2 2 - 690 [V]
MCBD 4 + MCB2 70 - 1000 [V]

(*) Capacità di connessione con conduttore flessibile
Connection capacity with multi core flexible conductor

Codice/Code CO.SI.ME.	Codice/Code CABUR	Sect. nom. [mm ²]	[mm ²]*	Current [A]
MCBD 2	CBD 2	2.5	0.5 ÷ 4	29
MCBD 4	CBD 4	4	0.5 ÷ 6	40
MCBD 6	CBD 6	6	0.5 ÷ 10	58
MCBD 10	CBD 10	10	0.5 ÷ 16	77
MCBD 16	CBD 16	16	0.5 ÷ 25	104
MCBD 35	CBD 35	35	0.5 ÷ 50	147
MCBD 50	CBD 50	50	1.5 ÷ 70	180
MCBD 70	CBD 70	70	1.5 ÷ 95	250



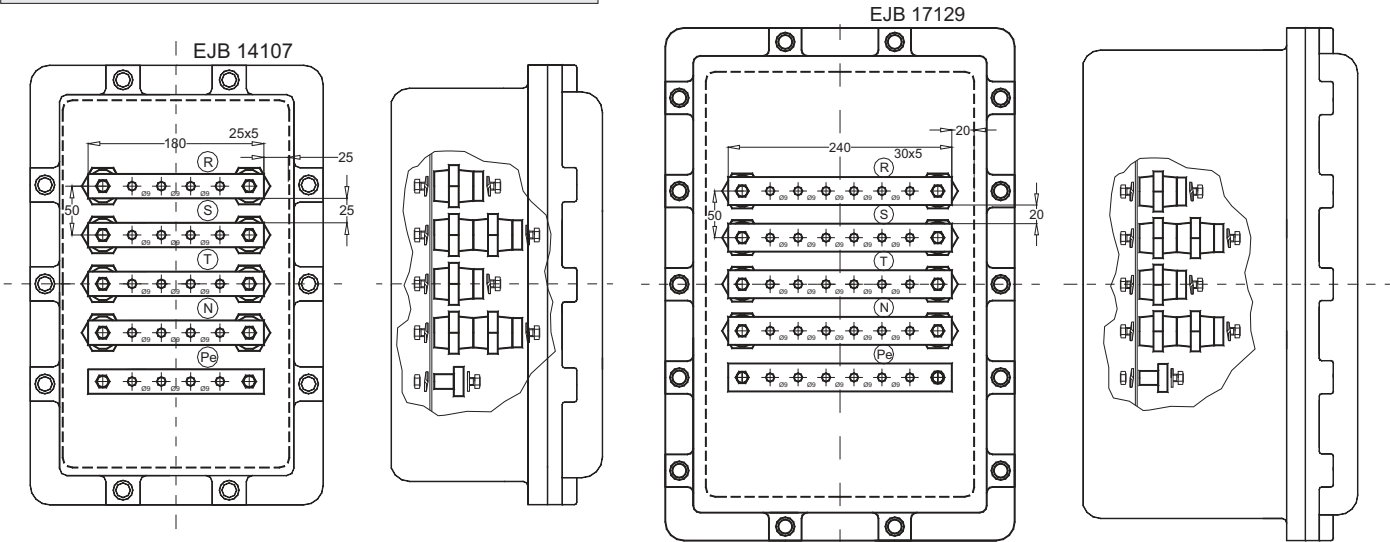
Sezione nominale morsetto [mm²] - Rated terminal section [mm²]

Codice/Code	2.5		4		6		10		16		35		50		70	
EJB 544..	12	-	10	-	8	-	7	-	5	-	-	-	-	-	-	-
EJB 755..	19	-	16	-	13	-	10	-	8	-	-	-	-	-	-	-
EJB 1076..	33	66	28	56	23	46	18	36	15	-	-	-	-	-	-	-
EJB 1286..	43	86	36	72	29	58	23	46	19	38	14	-	13	-	11	-
EJB 14107..	55	110	46	92	37	74	30	60	25	50	18	36	16	-	14	-
EJB 17129..	63	126	54	108	43	86	35	70	29	58	21	42	19	-	17	-
EJB 221410..	87	174	74	148	60	120	48	96	40	80	30	60	26	52	23	-
EJB 2886..	113	226	96	192	78	156	62	124	52	104	39	78	34	-	30	-

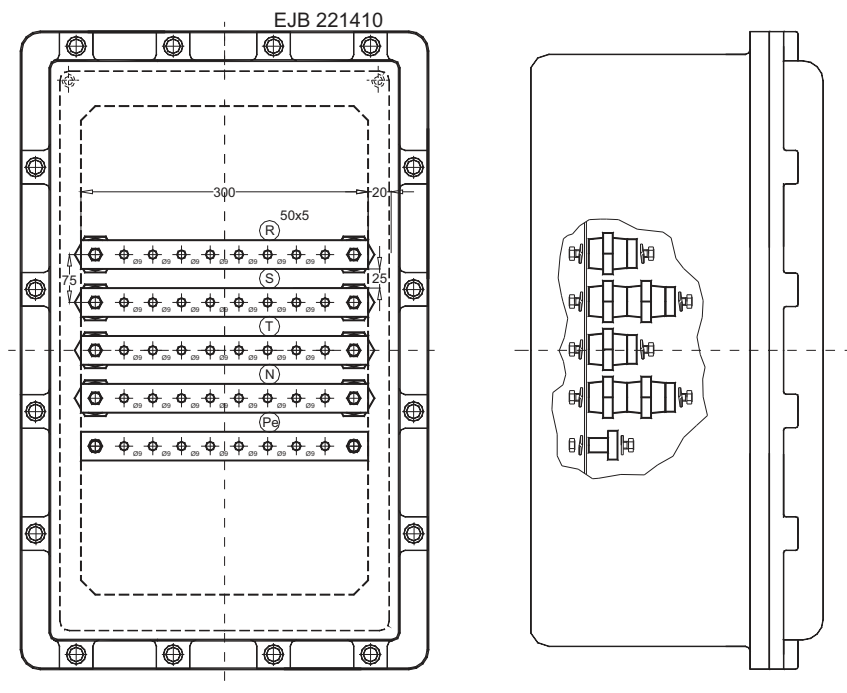


GAS	II2G Ex d IIB+H₂ T6 ÷ T5	*IP65/IP66	Zone 1 - Zone 21 - Zone 2 - Zone 22	
DUST	II2D Ex tD A21 T80°C ÷ T95°C	*IP65/IP66	❄️-20°C ÷ ☀️+40°C	❄️-20°C ÷ ☀️+60°C

Materiale isolatori : Poliestere senza alogenuri, V0 - UL94
 Materiale sbarre : Rame
 Insulator material : Polyestere halogen free, V0 - UL94
 Bus bar material : Copper



sezione sbarra bar section [mm ²]	H min. [mm] isolatore insulator	L max - lcc 23 kA interasse fissaggio mounting distance [mm]	L max - lcc 30 kA interasse fissaggio mounting distance [mm]	L max - lcc 39 kA interasse fissaggio mounting distance [mm]	L max - lcc 52 kA interasse fissaggio mounting distance [mm]	Corrente nominale Rated current [A]
15 x 5	40	275	160	-	-	220
20 x 5	40	325	175	-	-	280
25 x 5	40	350	200	125	-	330
30 x 5	40	375	225	135	-	410
50 x 5	45	-	350	200	110	600





GAS	II2G Ex d IIB+H₂ T6 ÷ T4
DUST	II2D Ex tD A21 T80°C ÷ T130°C

* IP65/IP66
* IP65/IP66

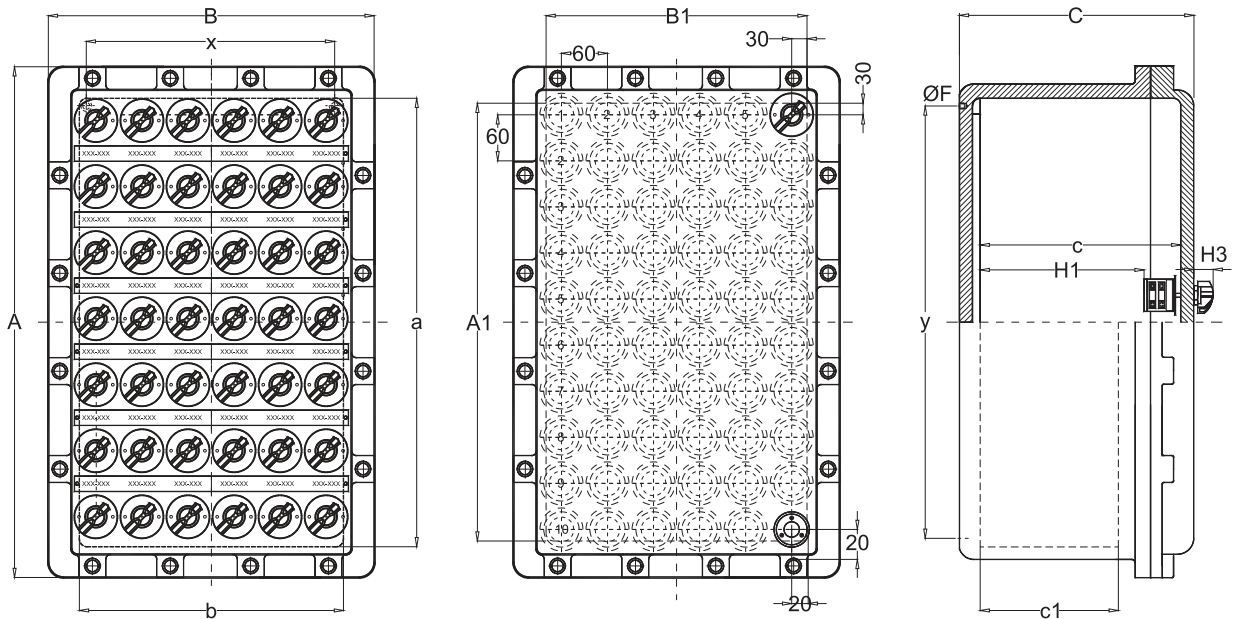
Zone 1 - Zone 21 - Zone 2 - Zone 22	
❄ -20°C ÷ ☀ +40°C	❄ -20°C ÷ ☀ +60°C

Materiale : Corpo e coperchio di lega leggera
 Installazione : con staffe in acciaio zincato a richiesta
 Viteria : Acciaio zincato a richiesta inox
 Guarnizioni : a richiesta al silicone per IP 66
 Suffisso A : Per montaggio elementi a coperchio

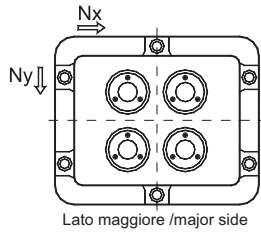
Material : Light alloy cover and body
 Installation : Galvanized steel lugs on demand
 Hardware : galvanized steel or stainless steel
 Gaskets : on demand silicon for IP 66
 A suffix : for installation of components on cover

* IP65 con grasso al silicone - IP66 con guarnizione
 IP65 with silicon grease - IP66 with silicon

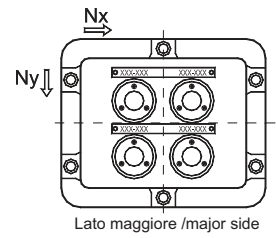
Code Code	A	B	C	a	b	c	c1	A1	B1	H1	H2	x	y	ØF	Peso Weight [kg]
EJB 544A	175	150	120	103	104	91	-	120	90	21	91	94	120	M5	2,400
EJB 544TA	175	150	120	103	104	91	50	120	90	21	91	94	120	M5	2,770
EJB 755A	212	175	140	164	125	116	-	155	115	46	78	100	140	M6	4,200
EJB 755TA	212	175	140	164	125	116	70	155	115	46	78	100	140	M6	4,700
EJB 1076A	305	206	157	252	154	127	86	215	125	57	89	132	224	M6	8,500
EJB 1286A	370	265	200	306	203	158	92	280	180	88	120	163	280	M8	14,500
EJB 14107A	450	307	206	375	232	169	110	345	210	99	131	198	339	M8	19,500
EJB 17129BA	545	373	206	456	288	156	180	450	285	86	118	285	450	M10	37,000
EJB 17129A	545	373	295	456	288	245	88	450	285	175	207	282	450	M10	30,500
EJB 221410A	665	425	305	583	344	250	180	570	340	180	212	315	550	M10	48,000



Codice Code	senza targhe without labels	
	Nx	Ny
EJB 544..A	2	1
EJB 755..A	3	2
EJB 1076A	4	3
EJB 1286A	5	3
EJB 14107A	6	4
EJB 17129..A	8	5
EJB 221410A	10	6



Codice Code	con targhe with labels	
	Nx	Ny
EJB 544..A	2	1
EJB 755..A	3	2
EJB 1076A	4	2
EJB 1286A	5	3
EJB 14107A	6	4
EJB 17129..A	8	4
EJB 221410A	10	5



Descrizione/Description	Codice/ Code
Targa Label	TGY Inox/S.S. TGF Traffolite
Selettore Selector switch	EFD ..C
H3 = 25	
Selettore con guardia Selector switch with guard	EFD ../CL
H3 = 25	
Selettore a chiave Selector key	EFD ../CY
H3 = 25	
Pulsante Push button	EFD 0 (1NC) EFD 1 (1NO)
H3 = 15	
Pulsante con doppio contatto Push button with double contact	EFD 0S (1NC+1NO) EFD 1S (1NO+1NC)
Pulsante di test e reset Test and reset push button	R 28
H3 = 35	
Pulsante emergenza sbocco a rotazione Emergency push button rotate to unlock	EFD 0FB/C (1NC)
H3 = 55	
Pulsante emergenza a chiave Emergency push button with key	EFD 0F/BYC (1NC)
H3 = 25	
Segnalatore incandescenza Incandescent signal lamp	EFD A3L/C blu/blue EFD B3L/C bianco/white EFD G3L/C giallo/yellow EFD R3L/C rosso/red EFD V3L/C verde/green
H3 = 23	
Segnalatore luminoso a led Led Signal	EFD ../L/C
H3 = 23	

EFD 5		11-14 12	1 2	11-12 X	12-14 X				
EFD 52		11-14 12 21 24 22	1 2	11-12 X	12-14 X	21-22 X	22-24 X		
EFD 53		11-14 12 21 24 22 31 34 32	1 2	11-12 X	12-14 X	21-22 X	22-24 X	31-32 X	32-34 X
EFD 50		11-14 12	1 0 2	11-12 X	12-14 X				
EFD 50+		11-14 12	1 0 2	11-12 X	12-14 X				
EFD 502		11-14 12 21 24 22	1 0 2	11-12 X	12-14 X	21-22 X	22-24 X		
EFD 502+		11-14 12 21 24 22	1 0 2	11-12 X	12-14 X	21-22 X	22-24 X		
EFD 503		11-14 12 21 24 22 31 34 32	1 0 2	11-12 X	12-14 X	21-22 X	22-24 X	31-32 X	32-34 X
EFD 6		13 23 14 24	0 I	13-14 X	23-24 X				
EFD 63		13 23 33 14 24 34	0 I	13-14 X	23-24 X	33-34 X			
EFD 64		13 23 33 43 14 24 34 44	0 I	13-14 X	23-24 X	33-34 X	43-44 X		
EFD 7		13 21 14 22	0 I	13-14 X	21-22 X				
EFD 8		13 21 14 22	0 I	13-14 X	21-22 X				
EFD Y		13 23 33 43 14 24 34 44	1 0 2	13-14 X	23-24 X	33-34 X	43-44 X		



GAS

IIG2 Ex d IIB+H2 T6 ÷ T4

***IP65/IP66**

Zone 1 - Zone 21 - Zone 2 - Zone 22

DUST

IID2 Ex tD A21 T80°C ÷ T130°C

***IP65/IP66**

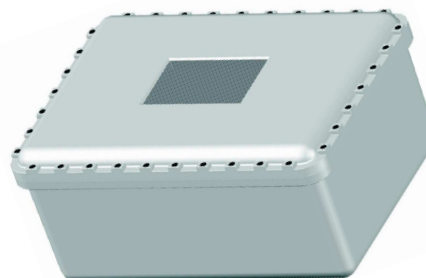
❄️-20°C ÷ ☀️+40°C

❄️-20°C ÷ ☀️+60°C

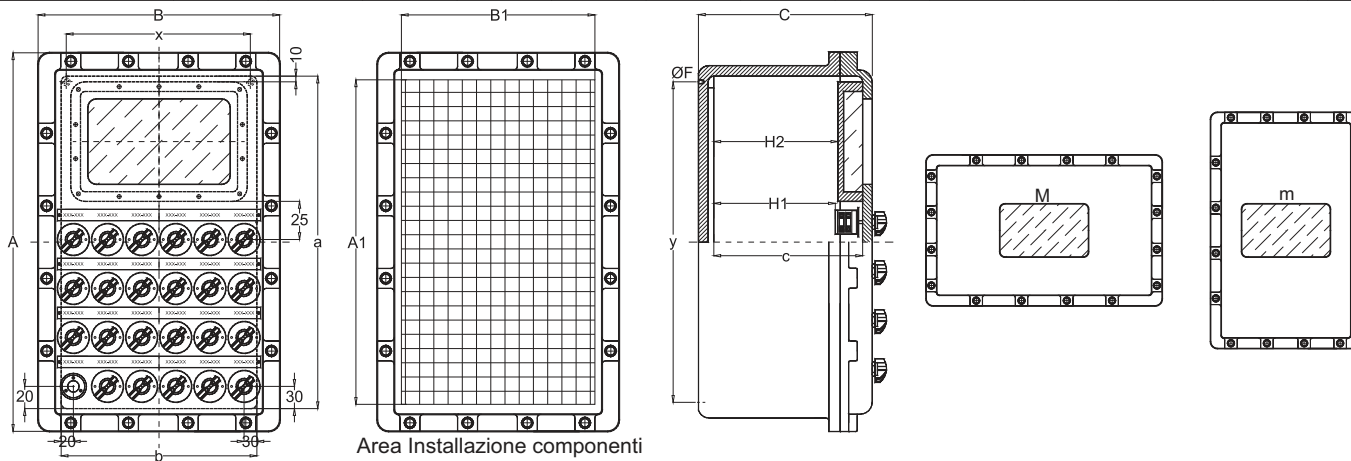
Materiale : Corpo e coperchio di lega leggera
Parte trasparente : Vetro temperato
Installazione : con staffe in acciaio zincato a richiesta
Viteria : Acciaio zincato a richiesta inox
Guarnizioni : a richiesta al silicone per IP 66
Ingresso : vedi tabella

Material : Light alloy cover and body
Transparent part : Tempered glass
Installation : Galvanized steel lugs on demand
Hardware : galvanized steel or stainless steel on demand
Gaskets : on demand silicon for IP 66
Cable entry : see table

* IP65 con grasso al silicone - IP66 con guarnizione
IP65 with silicon grease - IP66 with silicon

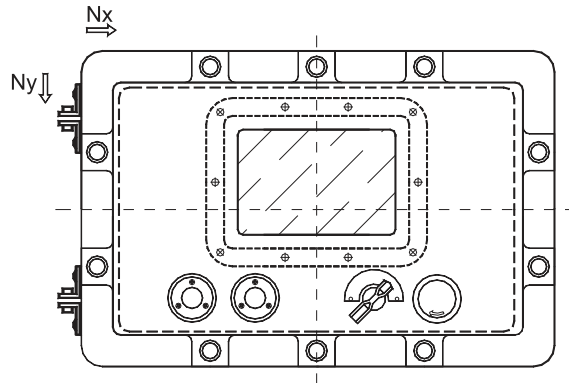


Codice/Code	A	B	C	a	b	c	A1	B1	H1	H2	x	y	ØF
EJB 544A	175	150	120	103	104	91	120	90	21	91	94	120	M5
EJB 755A	212	175	140	164	125	116	155	115	46	78	100	140	M6
EJB 1076A	305	206	157	252	154	127	215	125	57	89	132	224	M6
EJB 1286A	370	265	200	306	203	158	280	180	88	120	163	280	M8
EJB 14107A	450	307	206	375	232	169	345	210	99	131	198	339	M8
EJB 17129BA	545	373	206	456	288	156	450	285	86	118	285	450	M10
EJB 17129A	545	373	295	456	288	245	450	285	175	207	282	450	M10
EJB 221410A	665	425	305	583	344	250	570	340	180	212	315	550	M10



Area Installazione componenti
Comonents installation area

Codice/Code	F55	F105	F155	F205	F255	F1010	F1510	F1515	F2010	F2510	F2015	F2515	F90
Finestra/Window	50x50	100x50	150x50	200x50	250x50	100x100	150x100	150x150	200x100	250x100	200x150	250x150	ø90
EJB 544A	M	—	—	—	—	—	—	—	—	—	—	—	●
	m	—	—	—	—	—	—	—	—	—	—	—	—
EJB 755A	M	●	—	—	—	—	—	—	—	—	—	—	●
	m	●	—	—	—	—	—	—	—	—	—	—	—
EJB 1076A	M	●	●	●	—	—	—	—	—	—	—	—	●
	m	●	—	—	—	—	—	—	—	—	—	—	—
EJB 1286A	M	●	●	●	●	—	●	●	●	—	—	—	●
	m	●	●	—	—	—	—	—	—	—	—	—	—
EJB 14107A	M	●	●	●	●	●	●	●	●	●	●	●	●
	m	●	●	●	—	—	●	●	—	—	—	—	—
EJB 17129BA	M	●	●	●	●	●	●	●	●	●	●	●	●
	m	●	●	●	—	—	●	●	●	—	●	—	—
EJB 17129A	M	●	●	●	●	●	●	●	●	●	●	●	●
	m	●	●	●	—	—	●	●	—	—	●	—	—
EJB 221410A	M	●	●	●	●	●	●	●	●	●	●	●	●
	m	●	●	●	●	●	●	●	●	●	●	●	—



Codice/Code			F55	F105	F155	F205	F255	F1010	F1510	F1515	F2010	F2510	F2015	F2515	F90
Finestra/Window			50x50	100x50	150x50	200x50	250x50	100x100	150x100	150x150	200x100	250x100	200x150	250x150	ø90
EJB 544..A	M	Nx Ny	- 0 - 0	- 0 - 0	- 0 - 0	- 0 - 0	- 0 - 0	- 0 - 0	- 0 - 0	- 0 - 0	- 0 - 0	- 0 - 0	- 0 - 0	- 0 - 0	0 0
	m	Nx Ny	- 0 - 0	- 0 - 0	- 0 - 0	- 0 - 0	- 0 - 0	- 0 - 0	- 0 - 0	- 0 - 0	- 0 - 0	- 0 - 0	- 0 - 0	- 0 - 0	0 0
EJB 755..A	M	Nx Ny	● 0 ● 0	- 0 - 0	- 0 - 0	- 0 - 0	- 0 - 0	- 0 - 0	- 0 - 0	- 0 - 0	- 0 - 0	- 0 - 0	- 0 - 0	- 0 - 0	0 0
	m	Nx Ny	● 0 ● 0	- 0 - 0	- 0 - 0	- 0 - 0	- 0 - 0	- 0 - 0	- 0 - 0	- 0 - 0	- 0 - 0	- 0 - 0	- 0 - 0	- 0 - 0	0 0
EJB 1076A	M	Nx Ny	● 0 ● 0	● 0 ● 0	● 0 ● 0	- 0 - 0	- 0 - 0	- 0 - 0	- 0 - 0	- 0 - 0	- 0 - 0	- 0 - 0	- 0 - 0	- 0 - 0	0 0
	m	Nx Ny	● 2 ● 2	- 0 - 0	- 0 - 0	- 0 - 0	- 0 - 0	- 0 - 0	- 0 - 0	- 0 - 0	- 0 - 0	- 0 - 0	- 0 - 0	- 0 - 0	2 2
EJB 1286A	M	Nx Ny	● 5 ● 1	● 5 ● 1	● 5 ● 1	● 5 ● 1	- 0 - 0	● 0 ● 0	● 0 ● 0	- 0 - 0	● 0 ● 0	- 6 - 1	- 0 - 0	- 0 - 0	5 1
	m	Nx Ny	● 3 ● 3	● 3 ● 3	- 0 - 0	- 0 - 0	- 0 - 0	● 3 ● 2	- 0 - 0	- 0 - 0	- 0 - 0	- 0 - 0	- 0 - 0	- 0 - 0	3 3
EJB 14107A	M	Nx Ny	● 6 ● 1	● 6 ● 1	● 6 ● 1	● 6 ● 1	● 6 ● 1	● 6 ● 1	● 6 ● 1	● 0 ● 0	● 6 ● 1	● 6 ● 1	● 0 ● 0	● 0 ● 0	6 2
	m	Nx Ny	● 4 ● 3	● 4 ● 3	● 4 ● 3	- 0 - 0	- 0 - 0	● 4 ● 3	● 4 ● 3	● 4 ● 2	- 0 - 0	- 0 - 0	- 0 - 0	- 0 - 0	4 4
EJB 17129..A	M	Nx Ny	● 8 ● 3	● 8 ● 3	● 8 ● 3	● 8 ● 3	● 8 ● 3	● 8 ● 2	● 8 ● 2	● 8 ● 1	● 8 ● 2	● 8 ● 2	● 8 ● 1	● 8 ● 1	8 3
	m	Nx Ny	● 5 ● 5	● 5 ● 5	● 5 ● 5	● 5 ● 5	- 0 - 0	● 5 ● 5	● 5 ● 5	● 0 ● 0	● 5 ● 5	- 5 - 4	● 5 ● 4	- 5 - 4	5 5
EJB 221410A	M	Nx Ny	● 10 ● 3	● 10 ● 3	● 10 ● 3	● 10 ● 3	● 10 ● 3	● 10 ● 3	● 10 ● 3	● 10 ● 2	● 10 ● 3	● 10 ● 3	● 10 ● 2	● 10 ● 2	10 3
	m	Nx Ny	● 5 ● 8	● 5 ● 8	● 5 ● 8	● 5 ● 8	● 5 ● 8	● 5 ● 7	● 5 ● 7	● 5 ● 6	● 5 ● 7	● 5 ● 7	● 5 ● 6	● 5 ● 6	5 8


GAS
II2G Ex d IIB+H₂ T6 ÷ T5
*** IP65/IP66**
Zone 1 - Zone 21 - Zone 2 - Zone 22
DUST
II2D Ex tD A21 T80°C ÷ T95°C
*** IP65/IP66**
❄️ -20°C ÷ ☀️ +40°C
❄️ -20°C ÷ ☀️ +60°C

Materiale : Corpo e coperchio di lega leggera
Installazione : con staffe in acciaio zincato a richiesta
Viteria : Acciaio zincato a richiesta inox
Guarnizioni : a richiesta al silicone per IP 66
Ingresso : vedi tabella

Material : *Light alloy cover and body*
Installation : *Galvanized steel lugs on demand*
Hardware : *galvanized steel or stainless steel*
Gaskets : *on demand silicon for IP 66*
Cable entry : *see table*

* IP65 con grasso al silicone - IP66 con guarnizione
IP65 with silicon grease - IP66 with silicon gasket

Codice Code	N° massimo di interruttori magnetotermici Maximum number of circuit breakers			N° massimo di interruttori magnetotermici con differenziale Max. number of circuit breakers with residual current device		
	2 POLI 2 POLES	3 POLI 3 POLES	4 POLI 4 POLES	2 POLI 2 POLES	3 POLI 3 POLES	4 POLI 4 POLES
EJB 755..A	1 (63A)	1 (63A)	1 (63A)	1 (63A)	—	—
EJB 1076A	1 (63A)	1 (63A)	1 (63A)	1 (63A)	1 (63A)	1 (63A)
EJB 1286A	3 (25A)	3 (25A)	3 (25A)	3 (25A)	2 (25A)	2 (25A)
EJB 14107A	8 (25A)	5 (25A)	5 (25A)	4 (25A)	4 (25A)	2 (25A)
EJB 17129..A	14 (25A)	12 (25A)	10 (25A)	10 (25A)	6 (25A)	6 (25A)
EJB 221410A	18 (25A)	16 (25A)	12 (25A)	12 (25A)	8 (25A)	8 (25A)

Morsettiera sul fondo
Terminals installed on the bottom

Manovra rotativa e pulsante test
Rotative mechanical drive and test button

Magnetotermici installati a retro coperchio
Circuit breakers installed on the rear of the cover