

<b>Explosion protection:</b>	<b>II2G Ex d e IIC T5 Gb</b> <b>II2D Ex tb IIIC T70°C Db IP66</b>
<b>Ingress protection:</b>	<b>IP66</b>
<b>EC Type certificate:</b>	<b>CEC 13 ATEX 024</b>
<b>Ambient temp.:</b>	<b>-20°C ÷ +50°C</b>
<b>Body:</b>	<b>Fiberglass reinforced polyester</b>
<b>Diffuser:</b>	<b>UV Resistant polycarbonate</b>
<b>Power supply:</b>	<b>230Vac 50Hz ±10%</b>
<b>Ballast:</b>	<b>Electronic, EOL, PF &gt; 0.98</b>
<b>Back-up:</b>	<b>External flameproof battery</b> <b>Ni-Cad Cells 3.6V</b> <b>1 Hr 30 Min autonomy</b>
<b>Light source:</b>	<b>T8 fluorescent tubes 18 &amp; 36 W</b>
<b>Lamp sockets:</b>	<b>G13 for T8 fluorescent lamps</b>
<b>Connection:</b>	<b>3 Pole connection block 2.5mm<sup>2</sup></b>
<b>Cable entries:</b>	<b>1 Cable glands M25x1.5 Ø13-18mm</b> <b>1 Blinding plug M25x1.5</b>

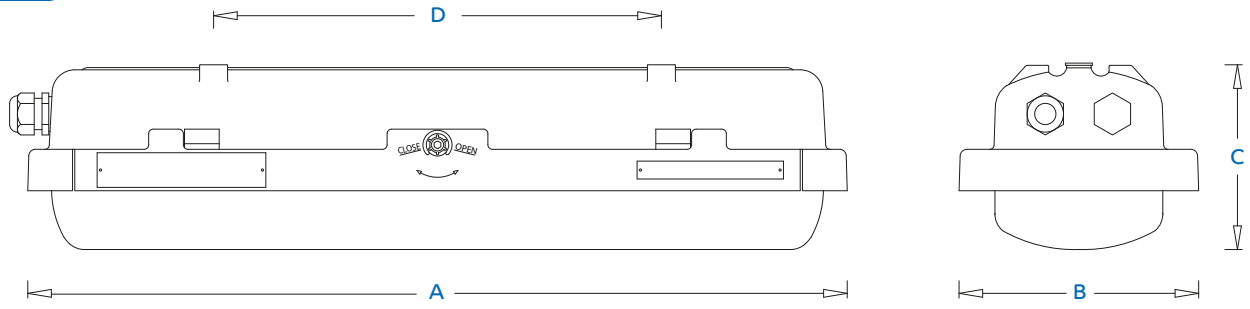


## SELECTION CHART

Article code	Normal operation		Emergency operation		Dim A [mm]	Dim B [mm]	Dim C [mm]	Dim D [mm]	Figure
	Power rating	Luminous Flux	Power rating	Luminous Flux					
AVF 118	1 x 18 W	1.350 lm	-	-	735	215	175	400	A
AVF 218	2 x 18 W	2.700 lm	-	-	735	215	175	400	A
AVF 136	1 x 36 W	3.350 lm	-	-	1.345	215	175	450	A
AVF 236	2 x 36 W	6.700 lm	-	-	1.345	215	175	450	A
AVFE 118	1 x 18 W	1.350 lm	1 x 18 W	1.350 lm	1735	215	265	400	B
AVFE 218	2 x 18 W	2.700 lm	1 x 18 W	1.350 lm	735	215	265	400	B
AVFE 136	1 x 36 W	3.350 lm	1 x 36 W	3.350lm	1.345	215	265	450	B
AVFE 236	2 x 36 W	6.700 lm	1 x 36 W	3.350lm	1.345	215	265	450	B
AVFEE 118	-	-	1 x 18 W	1.350 lm	735	215	265	400	B

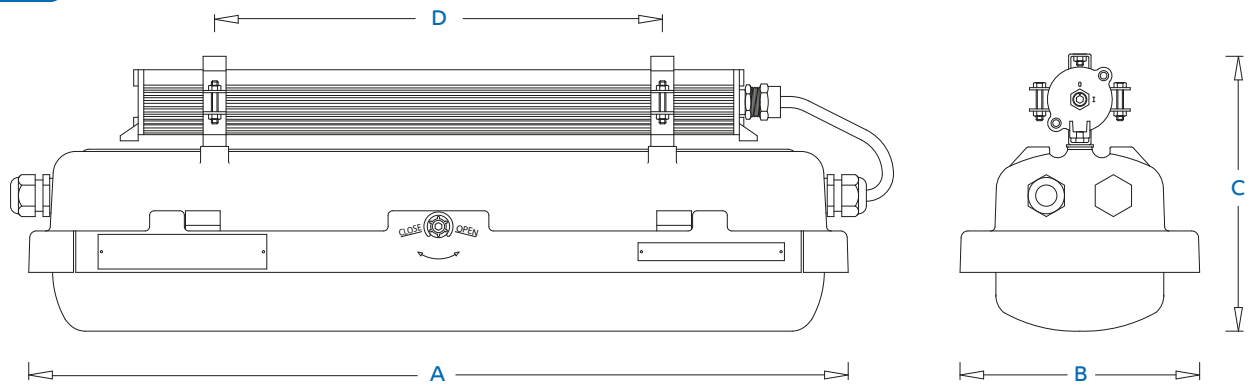
## DIMENSIONAL DRAWING

FIG A



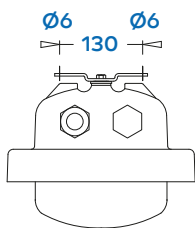
## DIMENSIONAL DRAWING

FIG B

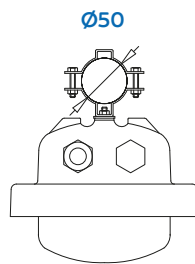


## INSTALLATION AND MOUNTING BRACKETS

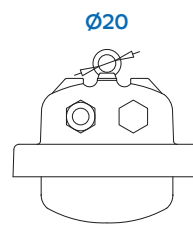
AV-C



AV-P



AV-S



AV-J

