

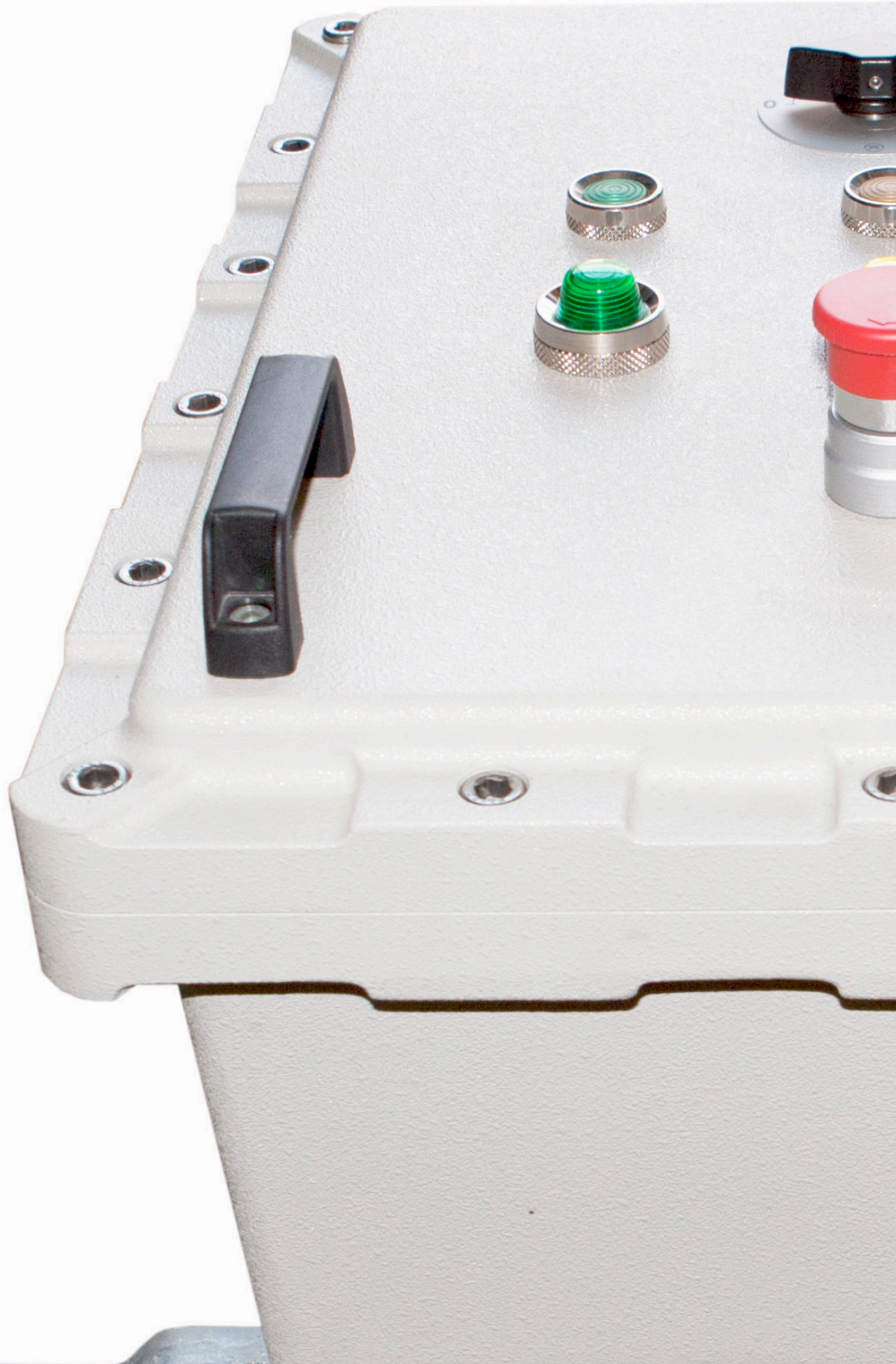


EJB SERIES

FLAMEPROOF ENCLOSURES

en

11 - 2014



NOTE

Area containing horizontal dotted lines for taking notes.



OFFICINE MECCANICHE M.A.M. Srl

Via Vico Veneto, 32, 20090

Pieve Emanuele (MI), ITALY

t +39 0290400419 **f** +39 0290400423

e info@mamitaly.it **w** www.mamitaly.it

Copyright © Mamitaly.it

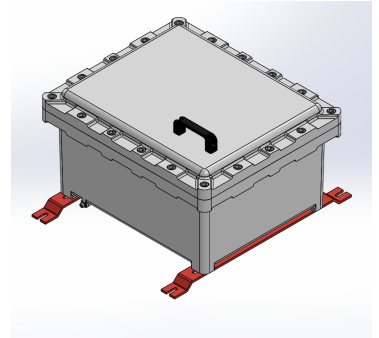


DESCRIPTION

The EJB series enclosures are designed for the installation in the industrial plants with potentially hazardous atmosphere classified as Zone 1 and Zone 2 for gases and Zone 21 and Zone 22 for combustible dusts.

The EJB series enclosures are presented with 10 different size options, which allow to house various types of automation, measurement and control components.

Indoor&outdoor installation of the terminal blocks, relay and electrical devices are the typical applications. The Enclosures can be equipped with a window, where a visual inspection is needed.



SPECIFICATIONS

EXPLOSION PROTECTION DATA	Conformity	Directive ATEX 94/9/EC
	Certification	ATEX - INERIS 14ATEX0056X IECEX - INE 14.0037X Ex TR CU - scheduled for 2015 UL - in progress
	Marking	I M2 Ex-d I Mb II 2 GD Ex-d IIB+H2 T6/T5/T4 Gb Ex-tb IIIC T85°C/100°C/135°C Db IP66 II 2(1) GD Ex-d [ia Ga] IIB+H2 T6 Gb Ex-tb [ia Da] IIIC T85°C Db IP66
	Standards	IEC/EN: 60079-0 (ATEX:2012, IECEX:2011), 60079-1 (ATEX/IECEX:2007), 60079-11(ATEX:2011, IECEX:2011), 60079-31 (ATEX:2009, IECEX:2013)
TECHNICAL DATA	Ambient Temperature	ATEX -50°C / +60°C IECEX -50°C / +60°C
	Material	Copper free Aluminum Alloy (Cu<0.1%) Stainless steel AISI 304 or AISI 316L
	Window Glass	Tempered Glass
	IP Rating	IP66
	Entries Thread	Metric ISO-262, ANSI/ASME B1.20.1 NPT, GK EN 10226-2*, G ISO-228
	Screws	Stainless steel A2 quality
	Surface Treatment	RAL 9022 Epoxy Painting (Standard)
	Nameplate Label	Aluminium plate (For Aluminum Enclosures) Stainless Steel Plate (For Stainless Steel Enclosures)
Accessories and Special Execution: (on request)	Breathing/Drain devices Internal anti-condensation coating painting RAL 2004 Off-shore special coating painting Pushbuttons, pilot lights, mechanical operators Flame Arrestor	

NOTE

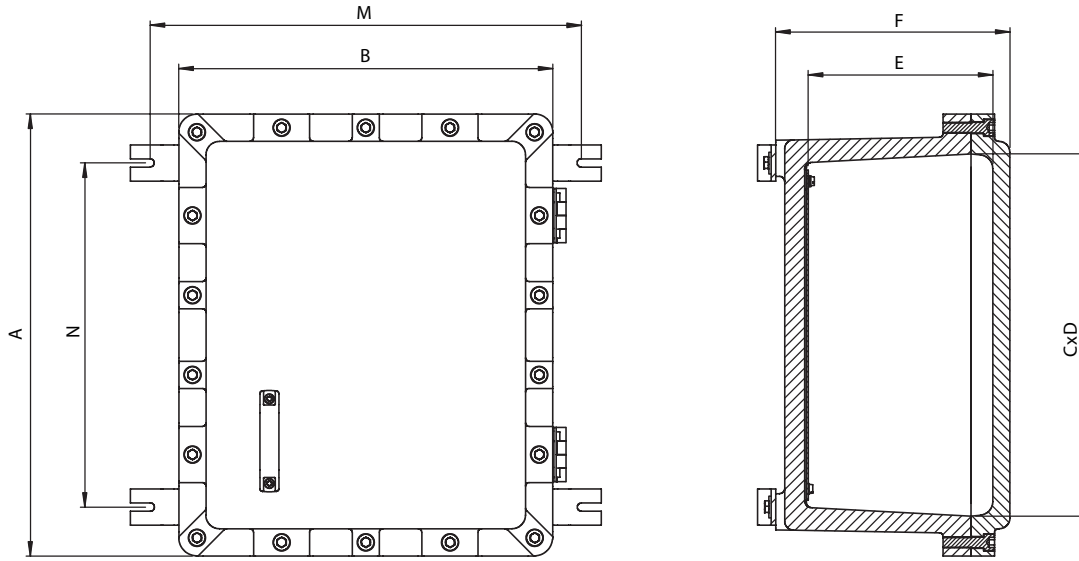
1. Standard type enclosures also include stainless steel hinges, internal & external earthing screw and stainless steel internal plate.

* Only for ATEX



EJB - WITH BLIND COVER

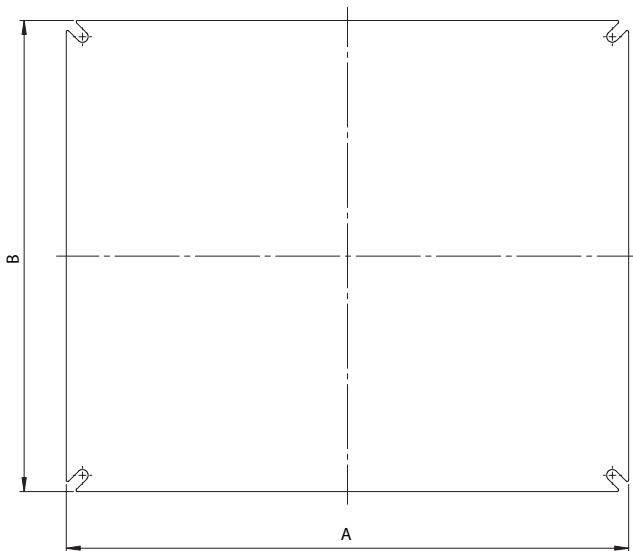
FLAMEPROOF ENCLOSURES



EJB - DATA TABLE

TYPE	DIMENSIONS [mm]								APPROX. WEIGHT (ALUMINUM) [Kg]
	A	B	C	D	E	F	M	N	
EJB-01	310	250	244	184	153	200	276	235	13
EJB-02	425	255	355	185	170	223	276	346	20
EJB-03	485	305	413	233	198	249	376	395	26,5
EJB-04	488	413	400	325	204	259	476	380	40
EJB-05	540	475	444	379	212	272	476	410	51,5
EJB-06	640	370	542	272	220	278	376	515	46,5
EJB-07	600	510	500	410	225	288	516	470	64
EJB-08	810	460	710	360	257	332	516	670	90
EJB-09	840	615	724	499	339	413	656	705	152
EJB-10	940	650	820	530	345	425	656	808	190

Note: Dimensions can slightly differ due to casting tolerances.

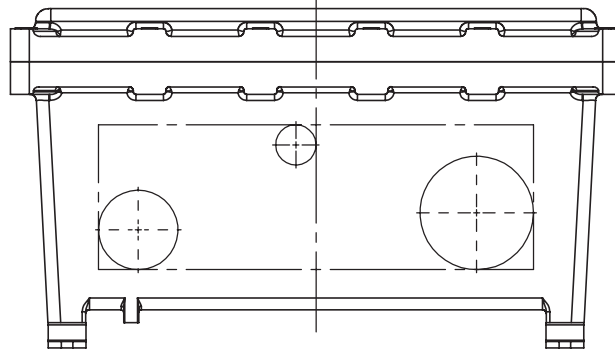


EJB INTERNAL MOUNTING PLATE - DATA TABLE

TYPE	DIMENSIONS [mm]	
	A	B
EJB 01	225	165
EJB 02	335	165
EJB 03	380	200
EJB 04	364	289
EJB 05	400	335
EJB 06	516	246
EJB 07	468	378
EJB 08	656	306
EJB 09	670	445
EJB 10	760	465

Note: 1. Thickness of the plate is 2 mm.
2. Earthing point can be changed according to client's request.

Materials - Stainless steel
- Stainless steel AISI 304/316L (on request)



EJB - DRILLING TABLE (MAXIMUM NUMBER OF ENTRIES FOR SHORT SIDE)								
TYPE	1/2"	3/4"	1"	1 1/4"	1 1/2"	2"	2 1/2"	3"
	M20x1,5	M25x1,5	M32x1,5	M40x1,5	M50x1,5	M63x1,5	M75x1,5	M90x1,5
EJB-01	8	5	3	2	1	1	1	1
EJB-02	8	6	4	2	1	1	1	1
EJB-03	15	9	6	4	2	1	1	1
EJB-04	24	15	9	6	4	2	2	1
EJB-05	30	18	11	8	5	3	2	2
EJB-06	20	12	8	6	4	2	1	1
EJB-07	32	21	12	8	5	3	2	2
EJB-08	28	18	12	6	6	3	2	2
EJB-09	60	40	24	15	12	6	5	3
EJB-10	63	43	26	15	9	6	5	3
Minimum interax for drilling [mm]	40	50	64	80	100	125	150	180

EJB - DRILLING TABLE (MAXIMUM NUMBER OF ENTRIES FOR LONG SIDE)								
TYPE	1/2"	3/4"	1"	1 1/4"	1 1/2"	2"	2 1/2"	3"
	M20x1,5	M25x1,5	M32x1,5	M40x1,5	M50x1,5	M63x1,5	M75x1,5	M90x1,5
EJB-01	14	8	5	3	2	1	1	1
EJB-02	17	12	10	5	3	3	2	2
EJB-03	30	20	11	8	5	3	2	2
EJB-04	32	21	12	8	5	3	2	2
EJB-05	36	21	12	10	6	3	3	2
EJB-06	44	27	20	12	9	4	3	3
EJB-07	42	24	15	10	7	4	3	2
EJB-08	60	36	29	16	12	7	5	4
EJB-09	96	60	38	24	17	10	8	5
EJB-10	105	70	42	27	15	12	8	5
Minimum interax for drilling [mm]	40	50	64	80	100	125	150	180

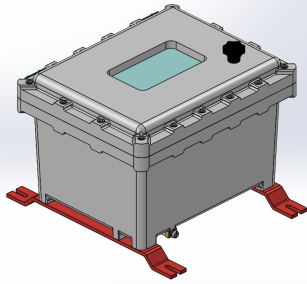
- Note: 1. Inche values are intended to use for ANSI/ASME B1.20.1 NPT, G ISO-228 and GK EN 10226-2 threads.
 2. This table is applicable for -50°C and indicative only. For -20°C the number of drills can be increased. Please contact technical department for the valid quantity.
 3. Please contact technical department for maximum number of entries on the short side.



EJB - WITH BLIND COVER

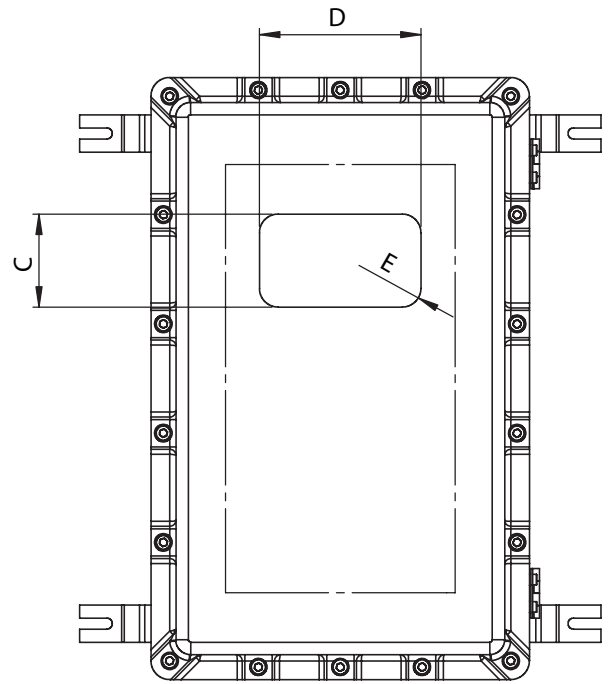
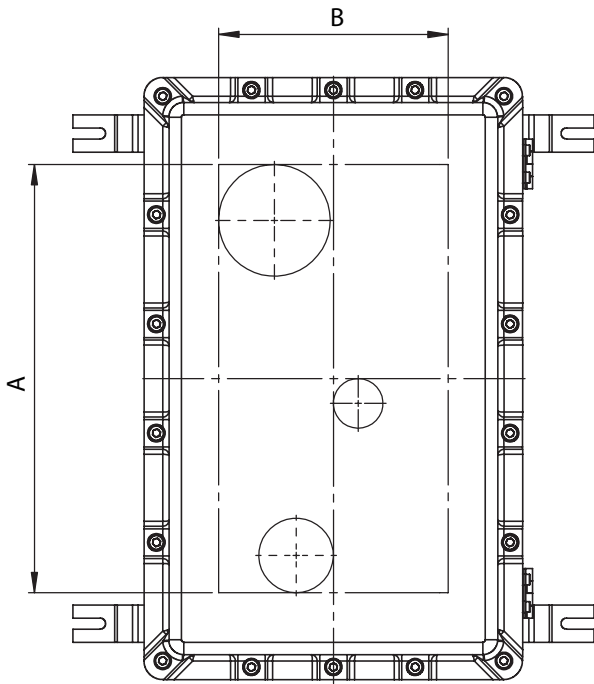
FLAMEPROOF ENCLOSURES

DESCRIPTION



The EJB W series enclosures are designed for the installation in the industrial plants with potentially hazardous atmosphere classified as Zone 1 and Zone 2 for gases and Zone 21 and Zone 22 for combustible dusts.

The EJB W series enclosures are used for electrical & electronic equipments, where a visual inspection is needed.



EJB W - DRILLING TABLE (MAXIMUM NUMBER OF ENTRIES ON THE COVER)

TYPE	1/2"	3/4"	1"	DRILLING AREA (AxB)
	M20x1,5	M25x1,5	M32x1,5	
EJB-01	20	12	8	200 x 140
EJB-02	32	18	12	300 x 140
EJB-03	45	28	15	350 x 180
EJB-04	62	36	22	330 x 270
EJB-05	76	46	28	360 x 300
EJB-06	68	43	27	480 x 210
EJB-07	88	54	30	410 x 320
EJB-08	92	60	38	600 x 250
EJB-09	122	86	50	600 x 380
EJB-10	136	100	62	700 x 420
Minimum interax for drilling [mm]	40	50	64	-

EJB W - WINDOW OPENING

TYPE	C [mm]	D [mm]	E [mm]
F1	40	70	R10
F2	50	200	X
F3	100	250	X
F4	75	130	X
F5	175	385	X
F5	-	-	-

Note: 1. Inche values are intended to use for ANSI/ASME B1.20.1 NPT, G ISO-228 and GK EN 10226-2 threads.

OFFICINE
MECCANICHE
M.A.M.



OFFICINE MECCANICHE M.A.M. Srl | Via Vico Veneto, 32, 20090, Pieve Emanuele (MI), ITALY

t +39 0290400419 **f** +39 0290400423 **e** info@mamitaly.it **w** www.mamitaly.it

Copyright © Mamitaly.it