



Explosion protection: II2G Ex d e IICT5 Gb  
II2D Ex tb IIIC T95°C IP66 Db

EC Type certificate: CEC 12 ATEX 023

Ambient temp.: -20°C ÷ +40°C

Body: Light alloy

Diffuser: Borosilicate glass

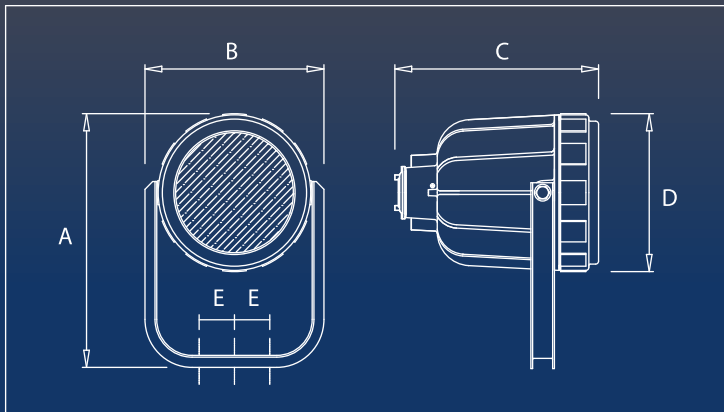
Light source: LED, 4000K, 120° Angle

Power supply: 230Vac , 50/60Hz ±10% [240AC]  
24Vdc ±10% [24DC]

Connection: 3 Pole connection 2.5mm<sup>2</sup> max.

Cable entries: 2 entries 3/4"NPT

### DRAWING



### DIMENSIONS

Code	A	B	C	D	E
EWL125..	290	260	270	200	35
EWL400..	430	300	350	260	60

### SELECTION CHART

Code	Power	Luminous Flux
EWL125..	70W	6000lm
EWL400..	125W	12000lm