

LTC-LV

Ex LED lighting fittings for zone 1, 2, 21 & 22



Explosion protection: IIC2G Ex e mb IIC T5÷T4 Gb
II2D Ex mb IIIC T95°C÷T130°C Db

Ingress protection: IP66

EC Type certificate: CEC 11 ATEX 120

Ambient temp.: -20°C ÷ +40°C (T5)
-20°C ÷ +60°C (T4)

End fittings: Polyamide as standard
[Stainless steel and brass on request]

Diffuser: UV resistant polycarbonate

Light source: LED 120° 5.000 K 110lm/W CRI 80

Lifetime: 50.000 hours

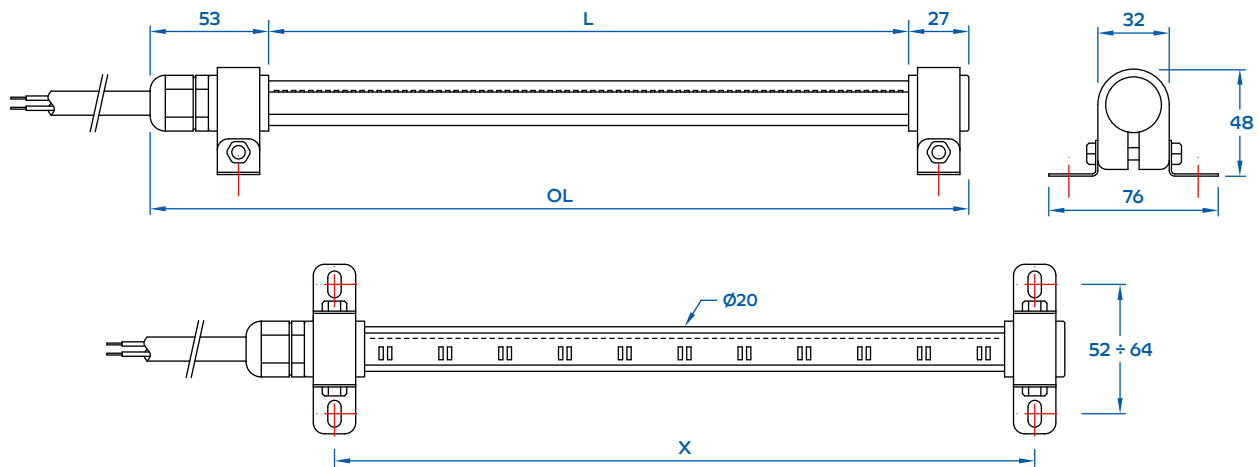
Power supply: 24Vdc ±10%

Cable: Polyurethane 2x1.5mm² [H07BQ-F]
[10m cable as standard]



SELECTION CHART & DIMENSIONS

FIG A



Article code	Power [Watt]	Quantity LED	Current [mA]	Luminous Flux [Lm]	< L > [mm]	< OL > [mm]	< X > [mm]
LTC 9 24DC	8,6	72	350	950	287	367	313
LTC 17 24DC	17,2	144	700	1.900	574	654	600
LTC 26 24DC	25,8	216	1.050	2.850	861	941	887
LTC 34 24DC	34,4	288	1.400	3.800	1.148	1.228	1.174

LTC-HV

Ex LED lighting fittings for zone 1, 2, 21 & 22



Explosion protection: II2G Ex e mb IIC T5÷T4 Gb
II2D Ex mb IIIC T95°C÷T130°C Db

Ingress protection: IP66

EC Type certificate: CEC 11 ATEX 120

Ambient temp.: -20°C ÷ +40°C (T5)
-20°C ÷ +60°C (T4)

End fittings: Polyamide as standard
[Stainless steel and brass on request]

Diffuser: UV resistant polycarbonate

Light source: LED 120° 5.500 K 110lm/W CRI 80

Lifetime: 50.000 hours

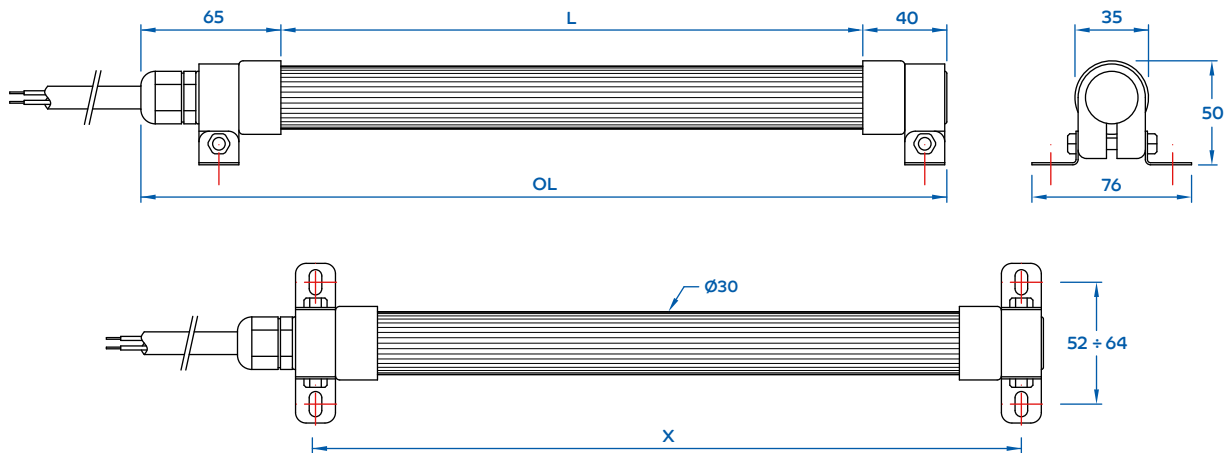
Power supply: 230Vac 50Hz ±10%

Cable: Polyurethane 2x1.5mm² [H07BQ-F]
[10m cable as standard]



SELECTION CHART & DIMENSIONS

FIG A



Article code	Power [Watt]	Quantity LED	Current [mA]	Luminous Flux [Lm]	< L > [mm]	< OL > [mm]	< X > [mm]
LTC 10 230AC	10	20	46	1.100	317	422	377
LTC 20 230AC	20	40	92	2.200	587	692	647
LTC 30 230AC	30	60	138	3.300	896	1.001	957
LTC 40 230AC	40	80	184	4.400	1.196	1.301	1.257