

# polyKOM-Ex



**Kompatible Klemmgehäuse aus glasfaserverstärktem Polyester**  
- in Ex e- und Ex i-Ausführung

*Compatible terminal polyester enclosures glass-fibre reinforced*  
- Ex e and Ex i version

**Compatibele klemmenbehuizingen van met glasvezel versterkt polyester**  
- in de uitvoeringen Ex e en Ex i

**Witterungsbeständiges, duroplastisches Polyester, glasfaserverstärkt**

**Korrosionsfrei, da sämtliche Metallteile aus Edelstahl hergestellt werden**

**Verschlusschrauben mit Plus/Minus-Schraubkopf oder als Innensechskantschraube erhältlich**

**Großes Sortiment**

**Anwendungsorientiertes Zubehör**

**Schutzart IP 65**

**Weather resistant, duro-plast polyester, fibre glass reinforced**

**Corrosion free as all metal parts are made of stainless steel**

**Available with plus/minus-fasteners or captive allen screw**

**Wide variety of sizes available**

**Optional accessories**

**Ingress protection IP 65**

**Weersbestendig, duroplastisch polyester versterkt met glasvezel**

**Corrosievast, omdat alle metaaldelen vervaardigd zijn van roestvrij staal**

**Versillende sluitschroeven met plus/min-schroefkop of als binnensechskantschroef beschikbaar**

**Groot assortiment**

**Toebehoren aangepast aan het toepassingsgebied**

**Beschermklasse IP 65**

## TECHNISCHEDATEN

### polyKOM-Ex

**Ex e/Ex i-Gehäuse**  
aus Polyester glasfaserverstärkt, halogenfrei. Entformungsschräge 1° ⇒ Lichte Innenmaße reduzieren sich bis zum Gehäuseboden um 1° umlaufend.

**Schrauben**  
Deckelschrauben aus Edelstahl 1.4567, unverlierbar.

**Schutzart**  
IP 65 / EN 60529

**Brennverhalten**  
VO selbstverlöschend UL 94

**Dichtung**  
Nut-Feder-System mit öl- und benzinbeständiger Silikon-Dichtung.

**Umgebungstemperatur**  
-40° C bis + 40° C

**Befestigung**  
Separate Schraubenkanäle außerhalb des Dichtraums. Außenbefestigungsglaschen aus Edelstahl optional.

**Einbauten**  
Ex e- bzw. Ex i-approbierte Reihenklemmen verschiedener Hersteller optional.

**Kabelverschraubungen**  
Ex e- bzw. Ex i-approbierte Kabelverschraubungen verschiedener Hersteller optional.

**Approval**  
II 2 GD Ex e II T6 tD A21 T80°C IP65  
II 2 GD Ex e ia IIC T6 tD A21 T80°C IP65  
II 1 G Ex ia IIC T6 IP65  
II 2 GD Ex e II tD A21 IP65  
KEMA 02ATEX2055  
KEMA 02ATEX2055 U  
2ExeII T6 DIP A21 T<sub>A</sub> 80°C  
0ExiaIICT6 DIP A21 T<sub>A</sub> 80°C  
ExeIIU DIP A21 T<sub>A</sub> 80°C

**Schutzleiteranschluss (innen)**  
Im Innenraum Schutzleiteranschluss durch Erdungsschiene oder durch PE-Klemmen.

**Zubehör**  
Montageplatten aus verzinktem Stahlblech, Reihenklemmen, etc.

**Farbe**  
Schwarz, ähnlich RAL 9011

**Oberflächenwiderstand**  
< 10<sup>9</sup> Ohm

## TECHNICAL DATA

### polyKOM-Ex

**Ex e/Ex i-Enclosure**  
Polyester, glass-fibre reinforced, halogen-free. 1° mould slope for casting ejection ⇒ Internal measures diminishing circulatory towards enclosure bottom by 1°.

**Screws**  
Captive screws made of stainless steel 1.4567, non-loosable.

**Protection class**  
IP 65 / EN 60529

**Combustion behaviour**  
VO self-extinguishing UL 94

**Gasket**  
Tongue and groove system with oil and petrol resistant silicon gasket.

**Surrounding temperature**  
-40°C up to + 40°C

**Fastening**  
Separate screw-channels outside the enclosure interior. External mounting brackets made of stainless steel, on request.

**Internal mounting**  
Approved Ex e or Ex i terminals from several manufacturers.

**Cable glands**  
Approved Ex e or Ex i cable glands from several manufacturers.

**Approval**  
II 2 GD Ex e II T6 tD A21 T80°C IP65  
II 2 GD Ex e ia IIC T6 tD A21 T80°C IP65  
II 1 G Ex ia IIC T6 IP65  
II 2 GD Ex e II tD A21 IP65  
KEMA 02ATEX2055  
KEMA 02ATEX2055 U  
2ExeII T6 DIP A21 T<sub>A</sub> 80°C  
0ExiaIICT6 DIP A21 T<sub>A</sub> 80°C  
ExeIIU DIP A21 T<sub>A</sub> 80°C

**Earth connection (inside)**  
Earth connection inside through earth-bar or PE-prints.

**Accessories**  
Mounting plates of galvanised sheet steel, terminals, etc.

**Colour**  
Black, similar to RAL 9011

**Surface resistance**  
< 10<sup>9</sup> Ohm

## TECHNISCHE GEGEVENS

### polyKOM-Ex

**Ex e/Ex i-behuizing**  
van polyester versterkt met glasvezel, vrij van halogenen. Afschuining 1° ⇒ binnenwerkse maten reduceren zich rondom tot de behuizingsbodem met 1°.

**Dekselbouten**  
Dekselbouten van roestvrij staal 1.4567, niet verliesbaar.

**Beschermklasse**  
IP 65 / EN 60529

**Brandgedrag**  
VO zelfdovend UL 94

**Afdichting**  
Messing- en groefstelsysteem met olie- en benzinebestendige afdichting van silicone.

**Omgevingstemperatuur**  
-40°C tot +40°C

**Befestiging**  
Afzonderlijke schroefkanalen buiten de afgedichte ruimte. Buitenbevestigingsstrippen van roestvrij staal op aanvraag.

**Inbouw**  
Goedgekeurde Ex e- of Ex i-serieklemmen van diverse leveranciers op aanvraag

**Kabelwartels**  
Goedgekeurde Ex e- of Ex-i-kabelwartels van diverse leveranciers op aanvraag.

**Officiële goedkeuringen**  
II 2 GD Ex e II T6 tD A21 T80°C IP65  
II 2 GD Ex e ia IIC T6 tD A21 T80°C IP65  
II 1 G Ex ia IIC T6 IP65  
II 2 GD Ex e II tD A21 IP65  
KEMA 02ATEX2055  
KEMA 02ATEX2055 U  
2ExeII T6 DIP A21 T<sub>A</sub> 80°C  
0ExiaIICT6 DIP A21 T<sub>A</sub> 80°C  
ExeIIU DIP A21 T<sub>A</sub> 80°C

**Aarddraadaansluiting (intern)**  
In de binnenruimte aarddraadaansluiting door aardingsrail of met PE-klemmen.

**Toebehoren**  
Montageplaten van verzinkt plaatsaal, serieklemmen, enz.

**Kleur**  
Zwart, vergelijkbaar met RAL 9011

**Oppervlakteresistentie**  
< 10<sup>9</sup> ohm



# polyKOM-Ex

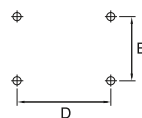
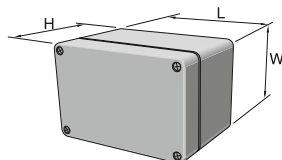
Spezialgehäuse  
Special enclosures  
Speciale behuizingen



| Lieferübersicht - Range overview - Overzichtstabel leveringen |                  |                  |                    |     |     |     |     |     |       |   |    |   |   |    |
|---|------------------|------------------|--------------------|-----|-----|-----|-----|-----|-------|---|----|---|---|----|
| Type PK   | Mat.-Nr<br>*Ex e | Mat.-Nr<br>*Ex i | Mat.-Nr<br>Ex leer | L   | W   | H   | D   | E   | g     | S | IN | M | T | ES |
| PK 081  | 184.081.000      | 186.081.000      | 188.081.000        | 80  | 75  | 55  | 68  | 45  | 230   | ○ | ○  | ● | ● | ○  |
| PK 082  | 184.082.000      | 186.082.000      | 188.082.000        | 110 | 75  | 55  | 98  | 45  | 295   | ○ | ○  | ● | ● | ○  |
| PK 083  | 184.083.000      | 186.083.000      | 188.083.000        | 160 | 75  | 55  | 148 | 45  | 405   | ○ | ○  | ● | ● | ○  |
| PK 084  | 184.084.000      | 186.084.000      | 188.084.000        | 190 | 75  | 55  | 178 | 45  | 450   | ○ | ○  | ● | ● | ○  |
| PK 121  | 184.121.000      | 186.121.000      | 188.121.000        | 122 | 120 | 90  | 106 | 82  | 750   | ● | ●  | ● | ● | ●  |
| PK 123  | 184.123.000      | 186.123.000      | 188.123.000        | 220 | 120 | 90  | 204 | 82  | 1.060 | ● | ●  | ● | ● | ●  |
| PK 161  | 184.161.000      | 186.161.000      | 188.161.000        | 160 | 160 | 90  | 140 | 110 | 1.130 | ● | ●  | ● | ● | ●  |
| PK 162  | 184.162.000      | 186.162.000      | 188.162.000        | 260 | 160 | 90  | 240 | 110 | 1.710 | ● | ●  | ● | ● | ●  |
| PK 163  | 184.163.000      | 186.163.000      | 188.163.000        | 360 | 160 | 90  | 340 | 110 | 2.150 | ● | ●  | ● | ● | ●  |
| PK 164  | 184.164.000      | 186.164.000      | 188.164.000        | 560 | 160 | 90  | 540 | 110 | 3.185 | ● | ●  | ● | ● | ●  |
| PK 251  | 184.251.000      | 186.251.000      | 188.251.000        | 255 | 250 | 120 | 235 | 200 | 2.650 | ● | ●  | ● | ● | ●  |
| PK 252  | 184.252.000      | 186.252.000      | 188.252.000        | 400 | 250 | 120 | 380 | 200 | 3.650 | ● | ●  | ● | ● | ●  |
| PK 254  | 184.254.000      | 186.254.000      | 188.254.000        | 600 | 250 | 120 | 580 | 200 | 5.235 | ● | ●  | ● | ● | ●  |
| PK 411  | 184.411.000      | 186.411.000      | 188.411.000        | 400 | 405 | 120 | 380 | 355 | 5.580 | ● | ●  | ● | ● | ●  |

\* Auslieferung mit T und 2 Klemmen - Delivery with T and 2 terminals - Levering met T en 2 klemmen

- S** Scharniere  
Hinges  
Scharnieren
- IN** Innensechskantschraube  
Captive allen screw  
Binnenzeskantschroef
- M** Montageplatten  
Mounting plates  
Montageplaten
- T** Tragschienen für Reihen-  
klemmen  
Supporting rail for series  
terminals  
Draagrail voor  
serieklemmen
- ES** Erdungsschiene  
Earthbar  
Aardingsrail



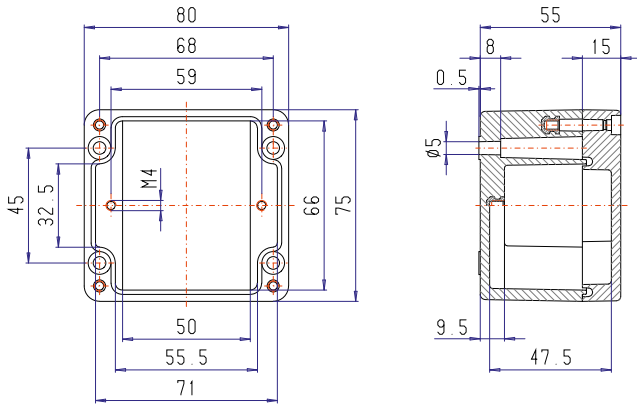
**Montagemaß**  
Mounting dimensions  
Montageafmetingen

- Standard/Standard/Standaard
- Lieferbar/available/leverbaar
- Nicht lieferbar/not available/niet leverbaar

**BESTELLBEISPIEL**  
ORDER EXAMPLE/BESTELVOORBEELD      Type: PK 161 Ex i + IN + A etc.

# polyKOM-Ex

## PK-Ex 081



max. Kabeldurchführungen  
max. cable glands  
max. kabelwartels

| W    | L       | W | L/L | W/W |
|------|---------|---|-----|-----|
|      | PG 7    | 3 | 1   |     |
| M 16 | PG 9    | 2 | 1   |     |
|      | PG 11   | 2 | 1   |     |
| M 20 | PG 13,5 | 1 | 1   |     |
|      | PG 16   | 1 | 1   |     |
| M 25 | PG 21   | 1 |     |     |
| M 32 | PG 29   |   |     |     |
| M 40 | PG 36   |   |     |     |
| M 50 | PG 42   |   |     |     |
| M 63 | PG 48   |   |     |     |

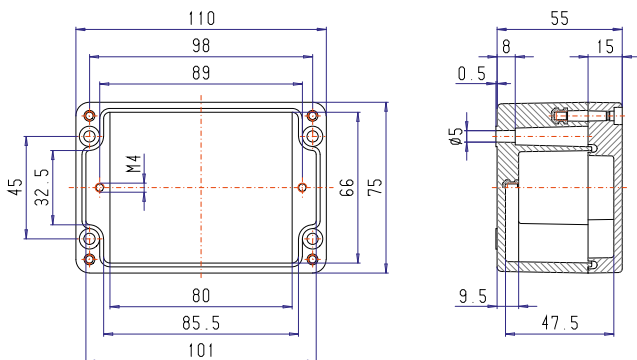
Nutzbare Tragschienenlänge 52mm  
Usable length of mounting rail 52mm  
Benutbare lengte van de klemmenrails 52mm

max. Leiteranzahl  
max. number of conductors  
max. aantal aansluitingen

| Strom in A<br>Power in A<br>Stroom in A | Querschnitt in mm <sup>2</sup><br>Cross section in sqmm<br>Doorsnede in mm <sup>2</sup> |     |   |   |    |    |    |    |    |    |    |
|---|---|-----|---|---|----|----|----|----|----|----|----|
|   | 1.5   | 2.5 | 4 | 6 | 10 | 16 | 25 | 35 | 50 | 70 | 95 |
| 10                                      | 26  |     |   |   |    |    |    |    |    |    |    |
| 16                                      | 9   | 17  |   |   |    |    |    |    |    |    |    |
| 20                                      | 3   | 10  |   |   |    |    |    |    |    |    |    |
| 22                                      |   | 4   |   |   |    |    |    |    |    |    |    |
| *                                       | 7   | 7   |   |   |    |    |    |    |    |    |    |

\*Max. montierbare Klemmenanzahl im Gehäuse  
\*Max. number of terminals in the enclosure possible  
\*Max. aantal klemmen in de behuizing

## PK-Ex 082



max. Kabeldurchführungen  
max. cable glands  
max. kabelwartels

| W    | L       | W | L/L | W/W |
|------|---------|---|-----|-----|
|      | PG 7    | 4 | 1   |     |
| M 16 | PG 9    | 4 | 1   |     |
|      | PG 11   | 3 | 1   |     |
| M 20 | PG 13,5 | 2 | 1   |     |
|      | PG 16   | 2 | 1   |     |
| M 25 | PG 21   | 1 |     |     |
| M 32 | PG 29   |   |     |     |
| M 40 | PG 36   |   |     |     |
| M 50 | PG 42   |   |     |     |
| M 63 | PG 48   |   |     |     |

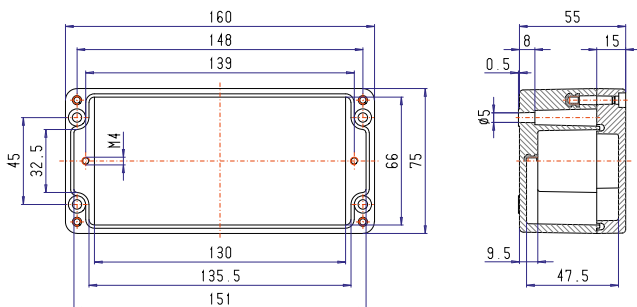
Nutzbare Tragschienenlänge 82mm  
Usable length of mounting rail 82mm  
Benutbare lengte van de klemmenrails 82mm

max. Leiteranzahl  
max. number of conductors  
max. aantal aansluitingen

| Strom in A<br>Power in A<br>Stroom in A | Querschnitt in mm <sup>2</sup><br>Cross section in sqmm<br>Doorsnede in mm <sup>2</sup> |     |    |   |    |    |    |    |    |    |    |
|---|---|-----|----|---|----|----|----|----|----|----|----|
|   | 1.5   | 2.5 | 4  | 6 | 10 | 16 | 25 | 35 | 50 | 70 | 95 |
| 10                                      | 27  |     |    |   |    |    |    |    |    |    |    |
| 16                                      | 9   | 18  | 72 |   |    |    |    |    |    |    |    |
| 20                                      | 4   | 10  | 20 |   |    |    |    |    |    |    |    |
| 25                                      |   |     | 11 |   |    |    |    |    |    |    |    |
| 35                                      |   |     | 3  |   |    |    |    |    |    |    |    |
| *                                       | 14  | 14  | 8  |   |    |    |    |    |    |    |    |

\*Max. montierbare Klemmenanzahl im Gehäuse  
\*Max. number of terminals in the enclosure possible  
\*Max. aantal klemmen in de behuizing

## PK-Ex 083



max. Kabeldurchführungen  
max. cable glands  
max. kabelwartels

| W    | L       | W  | L/L | W/W |
|------|---------|----|-----|-----|
|      | PG 7    | 11 | 1   |     |
| M 16 | PG 9    | 6  | 1   |     |
|      | PG 11   | 5  | 1   |     |
| M 20 | PG 13,5 | 4  | 1   |     |
|      | PG 16   | 4  | 1   |     |
| M 25 | PG 21   | 3  |     |     |
| M 32 | PG 29   |    |     |     |
| M 40 | PG 36   |    |     |     |
| M 50 | PG 42   |    |     |     |
| M 63 | PG 48   |    |     |     |

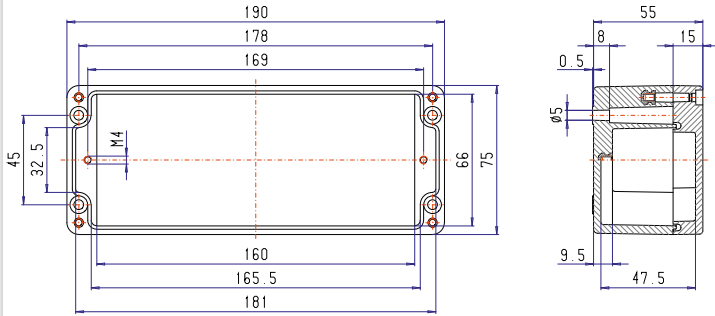
Nutzbare Tragschienenlänge 132mm  
Usable length of mounting rail 132mm  
Benutbare lengte van de klemmenrails 132mm

max. Leiteranzahl  
max. number of conductors  
max. aantal aansluitingen

| Strom in A<br>Power in A<br>Stroom in A | Querschnitt in mm <sup>2</sup><br>Cross section in sqmm<br>Doorsnede in mm <sup>2</sup> |     |    |    |    |    |    |    |    |    |    |
|---|---|-----|----|----|----|----|----|----|----|----|----|
|   | 1.5   | 2.5 | 4  | 6  | 10 | 16 | 25 | 35 | 50 | 70 | 95 |
| 10                                      | 28  |     |    |    |    |    |    |    |    |    |    |
| 16                                      | 9   | 18  | 73 |    |    |    |    |    |    |    |    |
| 20                                      | 4   | 11  | 21 |    |    |    |    |    |    |    |    |
| 25                                      |   |     | 12 | 23 |    |    |    |    |    |    |    |
| 35                                      |   |     | 3  | 9  | 22 |    |    |    |    |    |    |
| 50                                      |   |     |    |    | 7  | 18 |    |    |    |    |    |
| 63                                      |   |     |    |    | 2  | 6  |    |    |    |    |    |
| 80                                      |   |     |    |    |    | 3  |    |    |    |    |    |
| *                                       | 22  | 22  | 16 | -  | -  | -  |    |    |    |    |    |

\*Max. montierbare Klemmenanzahl im Gehäuse  
\*Max. number of terminals in the enclosure possible  
\*Max. aantal klemmen in de behuizing

### PK-Ex 084



max. Kabeldurchführungen  
max. cable glands  
max. kabelwartels

| W    | L       | W | L/L | W/W |
|------|---------|---|-----|-----|
|      | PG 7    | 8 | 1   |     |
| M 16 | PG 9    | 7 | 1   |     |
|      | PG 11   | 6 | 1   |     |
| M 20 | PG 13,5 | 5 | 1   |     |
|      | PG 16   | 4 | 1   |     |
| M 25 | PG 21   | 3 |     |     |
| M 32 | PG 29   |   |     |     |
| M 40 | PG 36   |   |     |     |
| M 50 | PG 42   |   |     |     |
| M 63 | PG 48   |   |     |     |

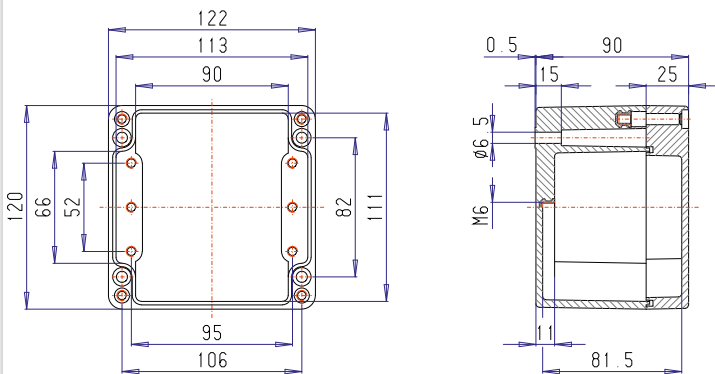
Nutzbare Tragschienenlänge 162mm  
Usable length of mounting rail 162mm  
Benutbare lengte van de klemmenrails 162mm

max. Leiteranzahl  
max. number of conductors  
max. aantal aansluitingen

| Strom in A<br>Power in A<br>Stroom in A | Querschnitt in mm <sup>2</sup><br>Cross section in sqmm<br>Doorsnede in mm <sup>2</sup> |     |    |    |    |    |    |    |    |    |    |
|---|---|-----|----|----|----|----|----|----|----|----|----|
|   | 1.5   | 2.5 | 4  | 6  | 10 | 16 | 25 | 35 | 50 | 70 | 95 |
| 10                                      | 28  |     |    |    |    |    |    |    |    |    |    |
| 16                                      | 9   | 18  | 73 |    |    |    |    |    |    |    |    |
| 20                                      | 4   | 11  | 21 |    |    |    |    |    |    |    |    |
| 25                                      |   |     | 12 | 23 |    |    |    |    |    |    |    |
| 35                                      |   |     | 3  | 9  | 22 |    |    |    |    |    |    |
| 50                                      |   |     |    |    | 7  | 18 |    |    |    |    |    |
| 63                                      |   |     |    |    | 2  | 8  | 30 |    |    |    |    |
| 80                                      |   |     |    |    |    | 3  | 9  |    |    |    |    |
| 100                                     |   |     |    |    |    |    | 4  |    |    |    |    |
| *                                       | 28  | 28  | 16 | -  | -  | -  | -  | -  | -  | -  | -  |

\*Max. montierbare Klemmenanzahl im Gehäuse  
\*Max. number of terminals in the enclosure possible  
\*Max. aantal klemmen in de behuizing

### PK-Ex 121



max. Kabeldurchführungen  
max. cable glands  
max. kabelwartels

| W    | L       | W | L/L | W/W |
|------|---------|---|-----|-----|
|      | PG 7    | 8 | 6   |     |
| M 16 | PG 9    | 6 | 4   |     |
|      | PG 11   | 6 | 3   |     |
| M 20 | PG 13,5 | 5 | 3   |     |
|      | PG 16   | 3 | 2   |     |
| M 25 | PG 21   | 2 | 1   |     |
| M 32 | PG 29   | 1 |     |     |
| M 40 | PG 36   |   |     |     |
| M 50 | PG 42   |   |     |     |
| M 63 | PG 48   |   |     |     |

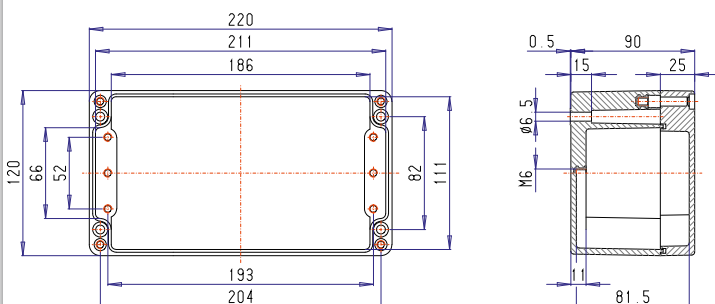
Nutzbare Tragschienenlänge 84mm  
Usable length of mounting rail 84mm  
Benutbare lengte van de klemmenrails 84mm

max. Leiteranzahl  
max. number of conductors  
max. aantal aansluitingen

| Strom in A<br>Power in A<br>Stroom in A | Querschnitt in mm <sup>2</sup><br>Cross section in sqmm<br>Doorsnede in mm <sup>2</sup> |     |     |    |    |    |    |    |    |    |    |
|---|---|-----|-----|----|----|----|----|----|----|----|----|
|   | 1.5   | 2.5 | 4   | 6  | 10 | 16 | 25 | 35 | 50 | 70 | 95 |
| 10                                      | 43  |     |     |    |    |    |    |    |    |    |    |
| 16                                      | 14  | 28  | 111 |    |    |    |    |    |    |    |    |
| 20                                      | 6   | 16  | 32  |    |    |    |    |    |    |    |    |
| 25                                      |   |     | 18  | 35 |    |    |    |    |    |    |    |
| 35                                      |   |     | 5   | 13 |    |    |    |    |    |    |    |
| 50                                      |   |     |     | 2  |    |    |    |    |    |    |    |
| *                                       | 13  | 13  | 11  | 8  |    |    |    |    |    |    |    |

\*Max. montierbare Klemmenanzahl im Gehäuse  
\*Max. number of terminals in the enclosure possible  
\*Max. aantal klemmen in de behuizing

### PK-Ex 123



max. Kabeldurchführungen  
max. cable glands  
max. kabelwartels

| W    | L       | W  | L/L | W/W |
|------|---------|----|-----|-----|
|      | PG 7    | 20 | 6   |     |
| M 16 | PG 9    | 15 | 4   |     |
|      | PG 11   | 14 | 3   |     |
| M 20 | PG 13,5 | 11 | 3   |     |
|      | PG 16   | 7  | 2   |     |
| M 25 | PG 21   | 4  | 1   |     |
| M 32 | PG 29   | 3  |     |     |
| M 40 | PG 36   |    |     |     |
| M 50 | PG 42   |    |     |     |
| M 63 | PG 48   |    |     |     |

Nutzbare Tragschienenlänge 182mm  
Usable length of mounting rail 182mm  
Benutbare lengte van de klemmenrails 182mm

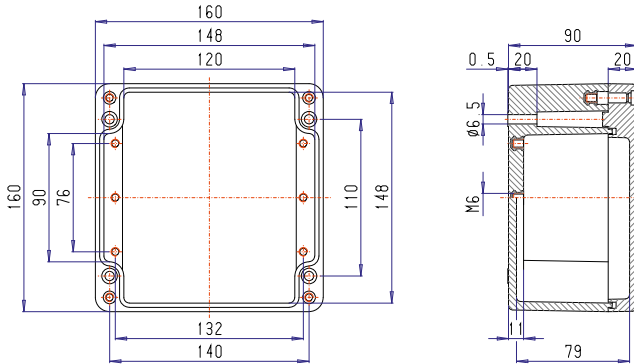
max. Leiteranzahl  
max. number of conductors  
max. aantal aansluitingen

| Strom in A<br>Power in A<br>Stroom in A | Querschnitt in mm <sup>2</sup><br>Cross section in sqmm<br>Doorsnede in mm <sup>2</sup> |     |     |    |    |    |    |    |    |    |    |
|---|---|-----|-----|----|----|----|----|----|----|----|----|
|   | 1.5   | 2.5 | 4   | 6  | 10 | 16 | 25 | 35 | 50 | 70 | 95 |
| 10                                      | 46  |     |     |    |    |    |    |    |    |    |    |
| 16                                      | 15  | 30  | 119 |    |    |    |    |    |    |    |    |
| 20                                      | 6   | 18  | 34  |    |    |    |    |    |    |    |    |
| 25                                      |   |     | 19  | 37 |    |    |    |    |    |    |    |
| 35                                      |   |     | 5   | 14 | 36 |    |    |    |    |    |    |
| 50                                      |   |     |     | 2  | 12 | 30 |    |    |    |    |    |
| 63                                      |   |     |     |    | 4  | 14 | 50 |    |    |    |    |
| 80                                      |   |     |     |    |    | 5  | 15 | 56 |    |    |    |
| 100                                     |   |     |     |    |    |    | 6  | 14 |    |    |    |
| 125                                     |   |     |     |    |    |    |    | 6  |    |    |    |
| *                                       | 33  | 33  | 26  | 21 | 10 | 8  | -  | -  | -  | -  | -  |

\*Max. montierbare Klemmenanzahl im Gehäuse  
\*Max. number of terminals in the enclosure possible  
\*Max. aantal klemmen in de behuizing

# polyKOM-Ex

## PK-Ex 161



max. Kabeldurchführungen  
max. cable glands  
max. kabelwartels

| W    | L       |    | L/L | W/W |
|------|---------|----|-----|-----|
|      | L       | W  |     |     |
|      | PG 7    | 14 | 9   |     |
| M 16 | PG 9    | 12 | 8   |     |
|      | PG 11   | 8  | 6   |     |
| M 20 | PG 13,5 | 8  | 6   |     |
|      | PG 16   | 6  | 3   |     |
| M 25 | PG 21   | 2  | 2   |     |
| M 32 | PG 29   | 2  | 1   |     |
| M 40 | PG 36   | 1  |     |     |
| M 50 | PG 42   |    |     |     |
| M 63 | PG 48   |    |     |     |

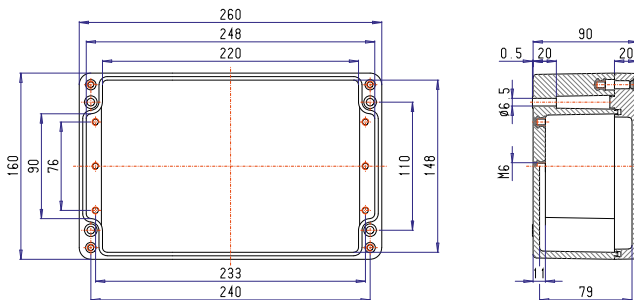
Nutzbare Tragschienenlänge 121mm  
Usable length of mounting rail 121mm  
Benutbare lengte van de klemmenrails 121mm

max. Leiteranzahl  
max. number of conductors  
max. aantal aansluitingen

| Strom in A<br>Power in A<br>Stroom in A | Querschnitt in mm <sup>2</sup><br>Cross section in sqmm<br>Doorsnede in mm <sup>2</sup> |     |     |    |    |    |    |    |    |    |    |
|---|---|-----|-----|----|----|----|----|----|----|----|----|
|   | 1.5   | 2.5 | 4   | 6  | 10 | 16 | 25 | 35 | 50 | 70 | 95 |
| 10                                      | 48  |     |     |    |    |    |    |    |    |    |    |
| 16                                      | 16  | 32  | 125 |    |    |    |    |    |    |    |    |
| 20                                      | 7   | 19  | 36  |    |    |    |    |    |    |    |    |
| 25                                      |   |     | 20  | 39 |    |    |    |    |    |    |    |
| 35                                      |   |     | 6   | 15 | 38 |    |    |    |    |    |    |
| 50                                      |   |     |     | 2  | 12 | 32 |    |    |    |    |    |
| 63                                      |   |     |     |    | 4  | 14 |    |    |    |    |    |
| 80                                      |   |     |     |    |    | 5  |    |    |    |    |    |
| *                                       | 21  | 21  | 17  | 13 | 10 | 8  |    |    |    |    |    |

\*Max. montierbare Klemmenanzahl im Gehäuse  
\*Max. number of terminals in the enclosure possible  
\*Max. aantal klemmen in de behuizing

## PK-Ex 162



max. Kabeldurchführungen  
max. cable glands  
max. kabelwartels

| W    | L       |    | L/L | W/W |
|------|---------|----|-----|-----|
|      | L       | W  |     |     |
|      | PG 7    | 27 | 9   |     |
| M 16 | PG 9    | 21 | 8   |     |
|      | PG 11   | 17 | 6   |     |
| M 20 | PG 13,5 | 15 | 6   |     |
|      | PG 16   | 12 | 3   |     |
| M 25 | PG 21   | 4  | 2   |     |
| M 32 | PG 29   | 3  | 1   |     |
| M 40 | PG 36   | 3  | 1   |     |
| M 50 | PG 42   |    |     |     |
| M 63 | PG 48   |    |     |     |

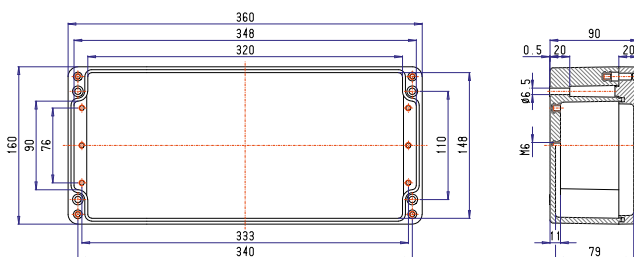
Nutzbare Tragschienenlänge 222mm  
Usable length of mounting rail 222mm  
Benutbare lengte van de klemmenrails 222mm

max. Leiteranzahl  
max. number of conductors  
max. aantal aansluitingen

| Strom in A<br>Power in A<br>Stroom in A | Querschnitt in mm <sup>2</sup><br>Cross section in sqmm<br>Doorsnede in mm <sup>2</sup> |     |     |    |    |    |    |    |    |    |    |
|---|---|-----|-----|----|----|----|----|----|----|----|----|
|   | 1.5   | 2.5 | 4   | 6  | 10 | 16 | 25 | 35 | 50 | 70 | 95 |
| 10                                      | 52  |     |     |    |    |    |    |    |    |    |    |
| 16                                      | 18  | 35  | 136 |    |    |    |    |    |    |    |    |
| 20                                      | 7   | 20  | 39  |    |    |    |    |    |    |    |    |
| 25                                      |   |     | 22  | 43 |    |    |    |    |    |    |    |
| 35                                      |   |     | 6   | 16 | 41 |    |    |    |    |    |    |
| 50                                      |   |     |     | 2  | 13 | 34 |    |    |    |    |    |
| 63                                      |   |     |     |    | 4  | 16 | 57 |    |    |    |    |
| 80                                      |   |     |     |    |    | 6  | 17 | 64 |    |    |    |
| 100                                     |   |     |     |    |    |    | 7  | 16 |    |    |    |
| 125                                     |   |     |     |    |    |    |    | 6  |    |    |    |
| *                                       | 38  | 38  | 32  | 25 | 19 | 16 | 10 | 8  |    |    |    |

\*Max. montierbare Klemmenanzahl im Gehäuse  
\*Max. number of terminals in the enclosure possible  
\*Max. aantal klemmen in de behuizing

## PK-Ex 163



max. Kabeldurchführungen  
max. cable glands  
max. kabelwartels

| W    | L       |    | L/L | W/W |
|------|---------|----|-----|-----|
|      | L       | W  |     |     |
|      | PG 7    | 42 | 9   |     |
| M 16 | PG 9    | 35 | 8   |     |
|      | PG 11   | 26 | 6   |     |
| M 20 | PG 13,5 | 21 | 6   |     |
|      | PG 16   | 18 | 3   |     |
| M 25 | PG 21   | 7  | 2   |     |
| M 32 | PG 29   | 5  | 1   |     |
| M 40 | PG 36   | 4  | 1   |     |
| M 50 | PG 42   |    |     |     |
| M 63 | PG 48   |    |     |     |

Nutzbare Tragschienenlänge 322mm  
Usable length of mounting rail 322mm  
Benutbare lengte van de klemmenrails 322mm

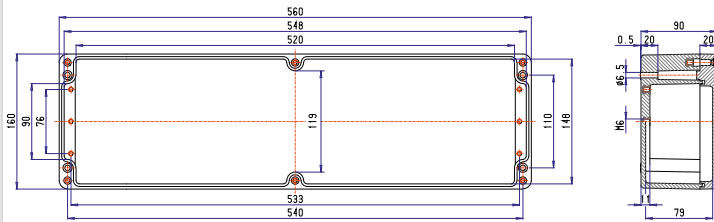
max. Leiteranzahl  
max. number of conductors  
max. aantal aansluitingen

| Strom in A<br>Power in A<br>Stroom in A | Querschnitt in mm <sup>2</sup><br>Cross section in sqmm<br>Doorsnede in mm <sup>2</sup> |     |     |    |    |    |    |    |    |    |    |
|---|---|-----|-----|----|----|----|----|----|----|----|----|
|   | 1.5   | 2.5 | 4   | 6  | 10 | 16 | 25 | 35 | 50 | 70 | 95 |
| 10                                      | 53  |     |     |    |    |    |    |    |    |    |    |
| 16                                      | 18  | 35  | 138 |    |    |    |    |    |    |    |    |
| 20                                      | 7   | 20  | 40  |    |    |    |    |    |    |    |    |
| 25                                      |   |     | 22  | 43 |    |    |    |    |    |    |    |
| 35                                      |   |     | 6   | 17 | 42 |    |    |    |    |    |    |
| 50                                      |   |     |     | 2  | 14 | 35 |    |    |    |    |    |
| 63                                      |   |     |     |    | 4  | 16 | 58 |    |    |    |    |
| 80                                      |   |     |     |    |    | 6  | 18 | 65 |    |    |    |
| 100                                     |   |     |     |    |    |    | 7  | 17 |    |    |    |
| 125                                     |   |     |     |    |    |    |    | 7  |    |    |    |
| *                                       | 58  | 58  | 49  | 36 | 29 | 25 | 19 | 8  |    |    |    |

\*Max. montierbare Klemmenanzahl im Gehäuse  
\*Max. number of terminals in the enclosure possible  
\*Max. aantal klemmen in de behuizing



## PK-Ex 164



max. Kabeldurchführungen  
max. cable glands  
max. kabelwartels

| W    | L       |    | L/L | W/W |
|------|---------|----|-----|-----|
|      | L       | W  |     |     |
|      | PG 7    | 44 | 6   |     |
| M 16 | PG 9    | 39 | 5   |     |
|      | PG 11   | 31 | 4   |     |
| M 20 | PG 13,5 | 24 | 3   |     |
|      | PG 16   | 12 | 2   |     |
| M 25 | PG 21   | 10 | 1   |     |
| M 32 | PG 29   | 9  | 1   |     |
| M 40 | PG 36   | 7  | 1   |     |
| M 50 | PG 42   |    |     |     |
| M 63 | PG 48   |    |     |     |

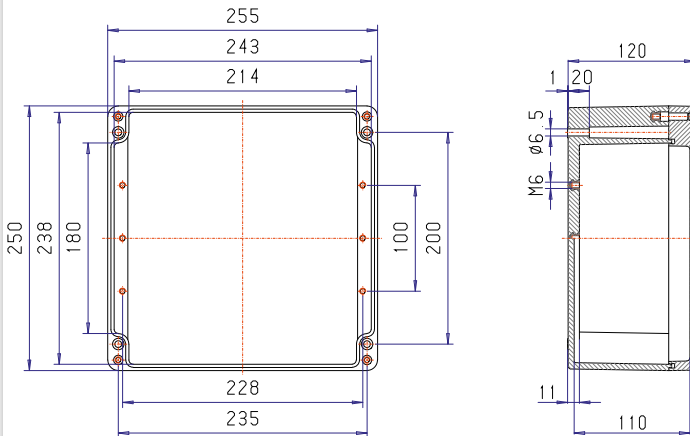
Nutzbare Tragschiene Länge 522mm  
Usable length of mounting rail 522mm  
Benutbare lengte van de klemmenrails 522mm

max. Leiteranzahl  
max. number of conductors  
max. aantal aansluitingen

| Strom in A<br>Power in A<br>Stroom in A | Querschnitt in mm <sup>2</sup><br>Cross section in sqmm<br>Doorsnede in mm <sup>2</sup> |     |     |    |    |    |    |    |    |    |    |
|---|---|-----|-----|----|----|----|----|----|----|----|----|
|   | 1.5   | 2.5 | 4   | 6  | 10 | 16 | 25 | 35 | 50 | 70 | 95 |
| 10                                      | 53  |     |     |    |    |    |    |    |    |    |    |
| 16                                      | 18  | 35  | 138 |    |    |    |    |    |    |    |    |
| 20                                      | 7   | 20  | 40  |    |    |    |    |    |    |    |    |
| 25                                      |   |     | 22  | 43 |    |    |    |    |    |    |    |
| 35                                      |   |     | 6   | 17 | 42 |    |    |    |    |    |    |
| 50                                      |   |     |     | 2  | 14 | 35 |    |    |    |    |    |
| 63                                      |   |     |     |    | 4  | 16 | 58 |    |    |    |    |
| 80                                      |   |     |     |    |    | 6  | 18 | 65 |    |    |    |
| 100                                     |   |     |     |    |    |    | 7  | 17 |    |    |    |
| 125                                     |   |     |     |    |    |    |    |    | 7  |    |    |
| *                                       | 96  | 96  | 81  | 61 | 49 | 41 | 30 | 16 |    |    |    |

\*Max. montierbare Klemmenanzahl im Gehäuse  
\*Max. number of terminals in the enclosure possible  
\*Max. aantal klemmen in de behuizing

## PK-Ex 251



max. Kabeldurchführungen  
max. cable glands  
max. kabelwartels

| W    | L       |    | L/L | W/W |
|------|---------|----|-----|-----|
|      | L       | W  |     |     |
|      | PG 7    | 44 | 25  |     |
| M 16 | PG 9    | 34 | 25  |     |
|      | PG 11   | 23 | 18  |     |
| M 20 | PG 13,5 | 20 | 18  |     |
|      | PG 16   | 17 | 14  |     |
| M 25 | PG 21   | 7  | 8   |     |
| M 32 | PG 29   | 4  | 3   |     |
| M 40 | PG 36   | 3  | 2   |     |
| M 50 | PG 42   |    |     |     |
| M 63 | PG 48   |    |     |     |

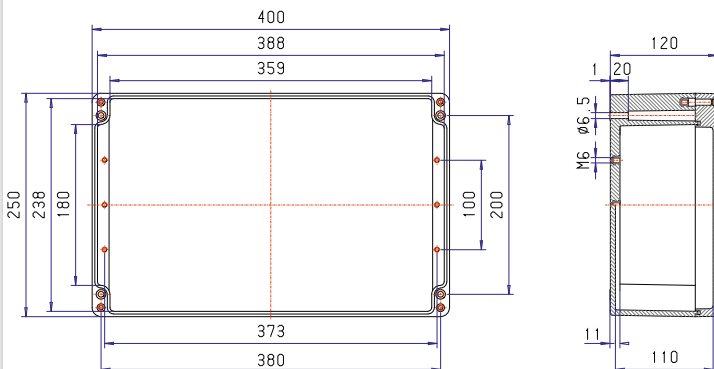
Nutzbare Tragschiene Länge 217mm  
Usable length of mounting rail 217mm  
Benutbare lengte van de klemmenrails 217mm

max. Leiteranzahl  
max. number of conductors  
max. aantal aansluitingen

| Strom in A<br>Power in A<br>Stroom in A | Querschnitt in mm <sup>2</sup><br>Cross section in sqmm<br>Doorsnede in mm <sup>2</sup> |     |     |    |    |    |    |    |    |    |    |
|---|---|-----|-----|----|----|----|----|----|----|----|----|
|   | 1.5   | 2.5 | 4   | 6  | 10 | 16 | 25 | 35 | 50 | 70 | 95 |
| 10                                      | 70  |     |     |    |    |    |    |    |    |    |    |
| 16                                      | 24  | 46  | 181 |    |    |    |    |    |    |    |    |
| 20                                      | 10  | 27  | 52  |    |    |    |    |    |    |    |    |
| 25                                      |   |     | 29  | 57 |    |    |    |    |    |    |    |
| 35                                      |   |     | 8   | 22 | 55 |    |    |    |    |    |    |
| 50                                      |   |     |     | 3  | 18 | 46 |    |    |    |    |    |
| 63                                      |   |     |     |    | 6  | 21 | 76 |    |    |    |    |
| 80                                      |   |     |     |    |    | 8  | 23 | 85 |    |    |    |
| 100                                     |   |     |     |    |    |    | 10 | 22 |    |    |    |
| 125                                     |   |     |     |    |    |    |    |    | 9  |    |    |
| *                                       | 76  | 76  | 63  | 48 | 19 | 16 | 13 | 13 |    |    |    |

\*Max. montierbare Klemmenanzahl im Gehäuse  
\*Max. number of terminals in the enclosure possible  
\*Max. aantal klemmen in de behuizing

## PK-Ex 252



max. Kabeldurchführungen  
max. cable glands  
max. kabelwartels

| W    | L       |    | L/L | W/W |
|------|---------|----|-----|-----|
|      | L       | W  |     |     |
|      | PG 7    | 80 | 25  |     |
| M 16 | PG 9    | 43 | 25  |     |
|      | PG 11   | 38 | 18  |     |
| M 20 | PG 13,5 | 36 | 18  |     |
|      | PG 16   | 29 | 14  |     |
| M 25 | PG 21   | 14 | 8   |     |
| M 32 | PG 29   | 6  | 3   |     |
| M 40 | PG 36   | 5  | 2   |     |
| M 50 | PG 42   |    |     |     |
| M 63 | PG 48   |    |     |     |

Nutzbare Tragschiene Länge 362mm  
Usable length of mounting rail 362mm  
Benutbare lengte van de klemmenrails 362mm

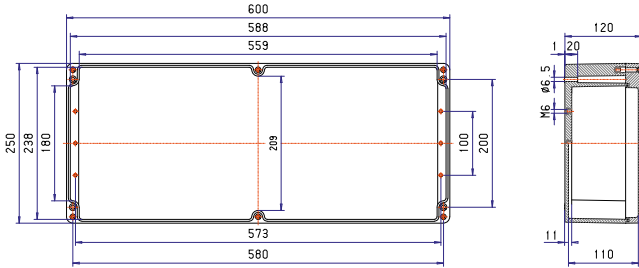
max. Leiteranzahl  
max. number of conductors  
max. aantal aansluitingen

| Strom in A<br>Power in A<br>Stroom in A | Querschnitt in mm <sup>2</sup><br>Cross section in sqmm<br>Doorsnede in mm <sup>2</sup> |     |     |    |    |    |    |    |    |    |    |
|---|---|-----|-----|----|----|----|----|----|----|----|----|
|   | 1.5   | 2.5 | 4   | 6  | 10 | 16 | 25 | 35 | 50 | 70 | 95 |
| 10                                      | 76  |     |     |    |    |    |    |    |    |    |    |
| 16                                      | 26  | 50  | 196 |    |    |    |    |    |    |    |    |
| 20                                      | 10  | 29  | 57  |    |    |    |    |    |    |    |    |
| 25                                      |   |     | 32  | 62 |    |    |    |    |    |    |    |
| 35                                      |   |     | 9   | 24 | 60 |    |    |    |    |    |    |
| 50                                      |   |     |     | 3  | 19 | 50 |    |    |    |    |    |
| 63                                      |   |     |     |    | 6  | 23 | 82 |    |    |    |    |
| 80                                      |   |     |     |    |    | 9  | 25 | 92 |    |    |    |
| 100                                     |   |     |     |    |    |    | 11 | 24 |    |    |    |
| 125                                     |   |     |     |    |    |    |    | 9  | 24 |    |    |
| 160                                     |   |     |     |    |    |    |    |    | 8  | 21 |    |
| 200                                     |   |     |     |    |    |    |    |    |    | 7  |    |
| 225                                     |   |     |     |    |    |    |    |    |    |    | 3  |
| *                                       | 132   | 132 | 110 | 82 | 33 | 28 | 22 | 22 | 9  | 9  |    |

\*Max. montierbare Klemmenanzahl im Gehäuse  
\*Max. number of terminals in the enclosure possible  
\*Max. aantal klemmen in de behuizing

# polyKOM-Ex

## PK-Ex 254



max. Kabeldurchführungen  
max. cable glands  
max. kabelwartels

| W    | L       | W   | L/L | W/W |
|------|---------|-----|-----|-----|
|      | PG 7    | 106 | 25  |     |
| M 16 | PG 9    | 66  | 25  |     |
|      | PG 11   | 56  | 18  |     |
| M 20 | PG 13,5 | 54  | 18  |     |
|      | PG 16   | 34  | 14  |     |
| M 25 | PG 21   | 16  | 8   |     |
| M 32 | PG 29   | 14  | 3   |     |
| M 40 | PG 36   | 6   | 2   |     |
| M 50 | PG 42   | 6   |     |     |
| M 63 | PG 48   |     |     |     |

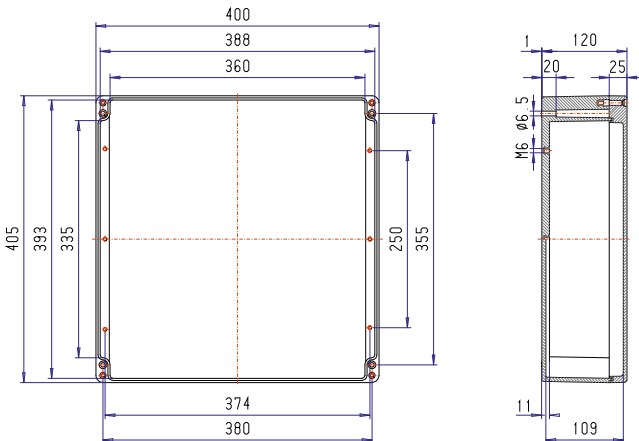
Nutzbare Tragschienenlänge 562mm  
Usable length of mounting rail 562mm  
Benutbare lengte van de klemmenrails 562mm

max. Leiteranzahl  
max. number of conductors  
max. aantal aansluitingen

| Strom in A<br>Power in A<br>Stroom in A | Querschnitt in mm <sup>2</sup><br>Cross section in sqmm<br>Doorsnede in mm <sup>2</sup> |     |     |     |    |    |    |    |    |    |    |
|---|---|-----|-----|-----|----|----|----|----|----|----|----|
|   | 1.5   | 2.5 | 4   | 6   | 10 | 16 | 25 | 35 | 50 | 70 | 95 |
| 10                                      | 78  |     |     |     |    |    |    |    |    |    |    |
| 16                                      | 26  | 52  | 201 |     |    |    |    |    |    |    |    |
| 20                                      | 11  | 30  | 58  |     |    |    |    |    |    |    |    |
| 25                                      |   |     | 33  | 64  |    |    |    |    |    |    |    |
| 35                                      |   |     | 9   | 25  | 62 |    |    |    |    |    |    |
| 50                                      |   |     |     | 3   | 20 | 51 |    |    |    |    |    |
| 63                                      |   |     |     |     | 6  | 24 | 84 |    |    |    |    |
| 80                                      |   |     |     |     |    | 9  | 26 | 95 |    |    |    |
| 100                                     |   |     |     |     |    |    | 11 | 25 |    |    |    |
| 125                                     |   |     |     |     |    |    |    | 10 | 25 |    |    |
| 160                                     |   |     |     |     |    |    |    |    | 8  | 22 |    |
| 200                                     |   |     |     |     |    |    |    |    |    | 8  |    |
| 225                                     |   |     |     |     |    |    |    |    |    |    | 3  |
| *                                       | 208   | 208 | 174 | 132 | 53 | 45 | 35 | 35 | 18 | 9  |    |

\*Max. montierbare Klemmenanzahl im Gehäuse  
\*Max. number of terminals in the enclosure possible  
\*Max. aantal klemmen in de behuizing

## PK-Ex 411



max. Kabeldurchführungen  
max. cable glands  
max. kabelwartels

| W    | L       | W  | L/L | W/W |
|------|---------|----|-----|-----|
|      | PG 7    | 72 | 68  |     |
| M 16 | PG 9    | 43 | 42  |     |
|      | PG 11   | 38 | 34  |     |
| M 20 | PG 13,5 | 36 | 32  |     |
|      | PG 16   | 23 | 21  |     |
| M 25 | PG 21   | 11 | 10  |     |
| M 32 | PG 29   | 7  | 6   |     |
| M 40 | PG 36   | 5  | 5   |     |
| M 50 | PG 42   | 5  | 3   |     |
| M 63 | PG 48   | 3  | 3   |     |

Nutzbare Tragschienenlänge 363mm  
Usable length of mounting rail 363mm  
Benutbare lengte van de klemmenrails 363mm

max. Leiteranzahl  
max. number of conductors  
max. aantal aansluitingen

| Strom in A<br>Power in A<br>Stroom in A | Querschnitt in mm <sup>2</sup><br>Cross section in sqmm<br>Doorsnede in mm <sup>2</sup> |     |     |     |    |    |    |     |    |    |    |
|---|---|-----|-----|-----|----|----|----|-----|----|----|----|
|   | 1.5   | 2.5 | 4   | 6   | 10 | 16 | 25 | 35  | 50 | 70 | 95 |
| 10                                      | 91  |     |     |     |    |    |    |     |    |    |    |
| 16                                      | 31  | 61  | 236 |     |    |    |    |     |    |    |    |
| 20                                      | 13  | 35  | 68  |     |    |    |    |     |    |    |    |
| 25                                      |   |     | 39  | 75  |    |    |    |     |    |    |    |
| 35                                      |   |     | 11  | 29  | 72 |    |    |     |    |    |    |
| 50                                      |   |     |     | 4   | 23 | 60 |    |     |    |    |    |
| 63                                      |   |     |     |     | 8  | 28 | 99 |     |    |    |    |
| 80                                      |   |     |     |     |    | 10 | 31 | 111 |    |    |    |
| 100                                     |   |     |     |     |    |    | 13 | 29  |    |    |    |
| 125                                     |   |     |     |     |    |    |    | 11  | 29 |    |    |
| 160                                     |   |     |     |     |    |    |    |     | 10 | 26 |    |
| 200                                     |   |     |     |     |    |    |    |     |    | 9  | 22 |
| 225                                     |   |     |     |     |    |    |    |     |    | 3  | 13 |
| 250                                     |   |     |     |     |    |    |    |     |    |    | 7  |
| *                                       | 198   | 198 | 165 | 122 | 99 | 56 | 22 | 22  | 16 | 15 | 10 |

\*Max. montierbare Klemmenanzahl im Gehäuse  
\*Max. number of terminals in the enclosure possible  
\*Max. aantal klemmen in de behuizing