

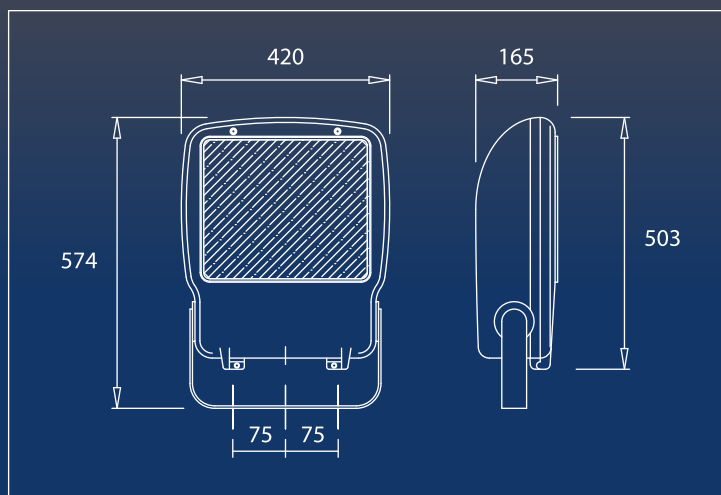
# RFN

## Discharge floodlights for zone 2 & 22



Explosion protection:	II2G Ex nR II T3 II2D Ex tD A22 T195°C IP66
Type certificate:	CEC 09/2034 - AET 544 ATEX
Ambient temp.:	-20°C ÷ +40°C
Body:	Light alloy
Diffuser:	Borosilicate glass
Light source:	Metalhalide [RMH] High pressure sodium [RNA] High pressure mercury vapour [RHG]
Power supply:	230Vac, 50/60Hz ±10%
Connection:	3 Pole connection 2.5mm <sup>2</sup> max.
Cable entries:	1 Cable gland M20 Ø7-13m

### DRAWING & DIMENSIONS



### SELECTION CHART

Code	Power	Lamp	Socket	T-Class
RFN 150 RMH	150W	Metalhalide	E27	T3
RFN 250 RMH	250W	Metalhalide	E40	T3
RFN 400 RMH	400W	Metalhalide	E40	T3
RFN 150 RNA	150W	H.P. Sodium	E27	T3
RFN 250 RNA	250W	H.P. Sodium	E40	T3
RFN 400 RNA	400W	H.P. Sodium	E40	T3
RFN 250 RHG	250W	H.P. Mercury Vap.	E40	T3

### REFLECTORS

Symmetrical [S]	Asymmetrical [A]	Circular [C]	Way [W]

### MOUNTING ACCESSORIES

RFN-MA01	RFN-MA02	RFN-MA03	RFN-MA04	RFN-MA05	RFN-MA06